



Fil-Trek

HPI SERIES

High Purity
Cartridge Filter Housing
ASME Design/Industrial Design
Universal



Water



Desalination



Chemicals



Electronics



Oil/Gas



Air/Gas



Inks/Paints/ Coatings



Power



Coolants



Pulp & Paper

HPI SERIES ASME High Purity Crevice Free Housings

- High purity industrial crevice free ASME "U" code housings.
- Accepts multiple 30" or 40" cartridges (2 1/2", 2 3/4" & 2 7/8" OD)
- 150psig (10.3bar) @ 250°F(121.1°C) operating pressure.
- Vessels available in stainless steel 304 or 316.
- Housings accept both single and double open end cartridges.
- Swing bolt closure allows for quick element change out.
- Housings standard with leg caps & crevice free welds.
- For custom requirements please contact Fil-Trek.

For pricing or to order, please contact



204 North Link Lane #7
Fort Collins, CO 80524
Office 970-204-4758
Fax 970-204-4764

brandon@industrialfiltersource.com

HPI SERIES

High Purity
 Cartridge Filter Housing
 ASME Design/Industrial Design
 Universal

Housing Specifications

Inlet/Outlet
 2" Flange – 4" Flange

Dirty Drain
 1"NPT

Clean Drain
 1"NPT

Vent
 1/2"NPT

Gauges
 1/2" NPT

Certifications

U
 UM
 CE
 NB
 CRN

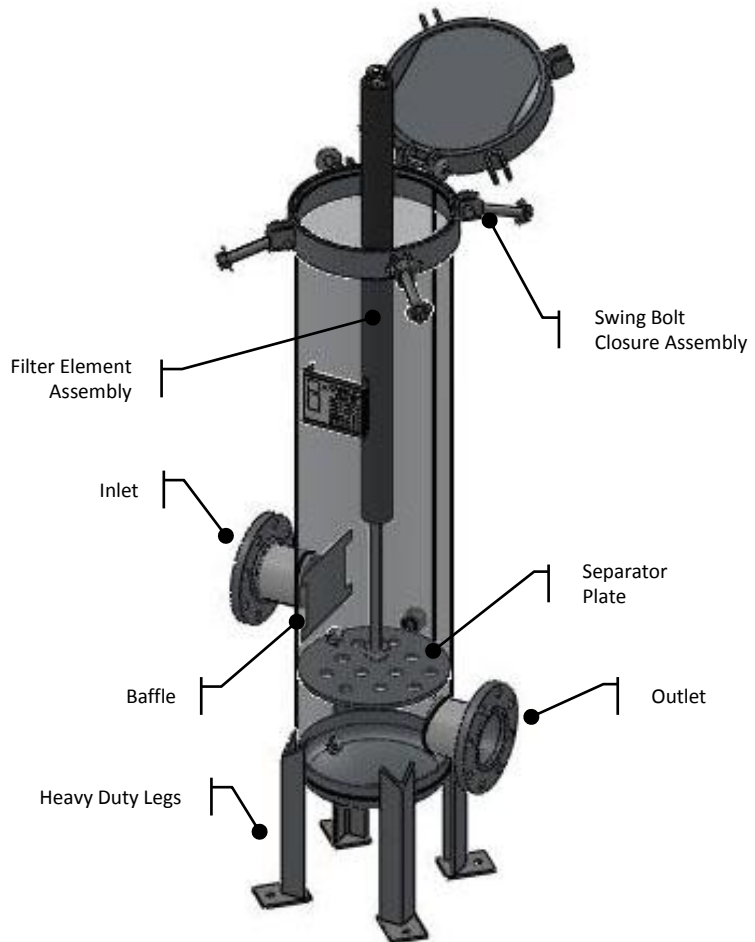
HPI SERIES

MODEL FLOW RATES

MODEL	# OF FILTERS		FLOW RATE (GPM)		MAX INLET/OUTLET
	2.5" OD	2.75" OD	2.5" OD	2.75" OD	
HPI08-A/B/C-4-3F	6	5	120	100	3"
HPI10-A/B/C-4-3F	10	8	200	160	3"
HPI12-A/B/C-4-3F	12	12	240	240	3"
HPI14-A/B/C-4-4F	18	14	360	280	4"
HPI16-A/B/C-4-4F	22	19	440	380	4"

Flow rates based on water at 5gpm/10" (assuming 40" cartridges). Actual Flow rate is dependent on fluid viscosity, cartridge micron rating, contaminant and type of media.

INTERNAL DETAILS



For pricing or to order, please contact



204 North Link Lane #7
 Fort Collins, CO 80524
 Office 970-204-4758
 Fax 970-204-4764

brandon@industrialfiltersource.com

MATERIAL OF CONSTRUCTION	MAX. OPERATING PRESSURE (PSI @250°F)	MAX. DESIGN TEMP
CARBON STEEL	150 psi (10.3bar)	300°F (150°C)
304 STAINLESS STEEL	150 psi (10.3bar)	300°F (150°C)
316 STAINLESS STEEL	150 psi (10.3bar)	300°F (150°C)

MODEL DIMENSIONAL DETAILS

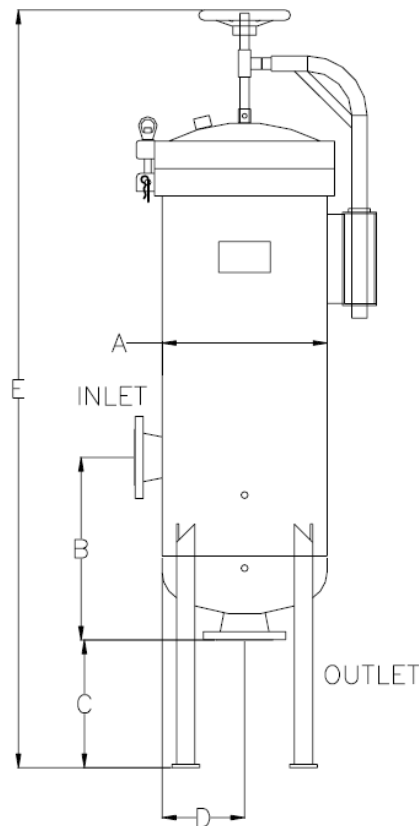
MODEL	SHIPPING WEIGHT (LBS)	A	B	C	D	E
HPI08-A/B/C-3-2F	60	8 5/8"	15"	8"	6 1/2"	50 5/8"
HPI08-A/B/C-4-3F	70	8 5/8"	15"	8"	6 3/4"	64"
HPI10-A/B/C-3-3F	150	10 3/4"	18"	10"	7 5/8"	53 3/4"
HPI10-A/B/C-4-3F	165	10 3/4"	18"	10"	7 5/8"	63 3/4"
HPI12-A/B/C-3-3F	185	12 3/4"	21"	11"	8 1/4"	64 1/2"
HPI12-A/B/C-4-3F	205	12 3/4"	21"	11"	8 1/4"	74 1/2"
HPI14-A/B/C-3-4F	210	14"	21"	12"	9 1/4"	70 1/4"
HPI14-A/B/C-4-4F	230	14"	21"	12"	9 1/4"	80 1/4"
HPI16-A/B/C-3-4F	240	16"	21"	12"	10 3/8"	70 1/4"
HPI16-A/B/C-4-4F	255	16"	21"	12"	10 3/8"	80 1/4"

Dimensions given are typical only. For critical requirements contact Fil-Trek for a certified drawing.

**HPI08 to HPI10 designed with flat cover, all larger HPI models have a dished cover.

REFERENCE CHART LEGEND

A	OUTSIDE DIAMETER
B	INLET TO OUTLET FACE
C	FLOOR TO FACE
D	CENTER TO FACE
E	OVERALL LENGTH



PRODUCT NOMENCLATURE

S4	HPI	14	4	4F	-
MATERIAL	MODEL	HOUSING DIAMETER	CARTRIDGE LENGTH	CONNECTION TYPE	O-RING
CS – CARBON STEEL	HPI	SEE TABLE	3 – 30	SEE TABLE	SEE SIDE PANEL FOR OPTIONS
S4 – SS304			4 – 40		
S6 – SS316					

O-Ring Options

(-) – Buna-N (standard)
ED – EPDM
VI – Viton
SI – Silicone
TEV – Teflon encapsulated Viton
TF – Teflon

Accessories

Direct Reading Gauge
DP Gauge
Safety Relief Valves
Vent Valves
Drain Valves
Air Eliminator

For pricing or to order, please contact



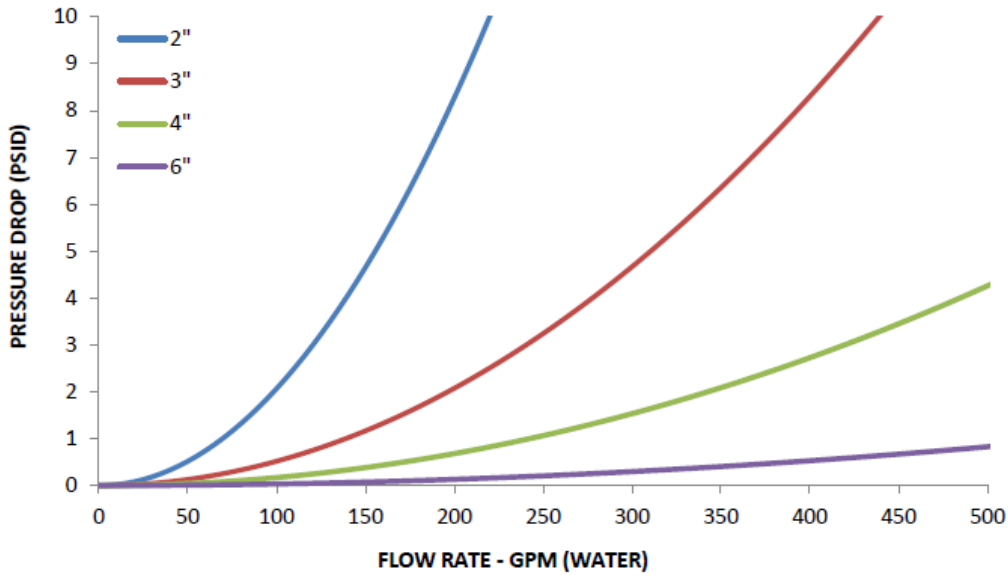
204 North Link Lane #7
Fort Collins, CO 80524
Office 970-204-4758
Fax 970-204-4764

brandon@industrialfiltersource.com

HPI SERIES

High Purity
Cartridge Filter Housing
ASME Design/Industrial Design
Universal

FLOW CHART



For pricing or to order, please contact



204 North Link Lane #7
Fort Collins, CO 80524
Office 970-204-4758
Fax 970-204-4764
brandon@industrialfiltersource.com