



# Fil-Trek

# FRP SERIES

Fibreglass Reinforced Plastic  
Cartridge Filter Housing  
Universal



Water



Desalination



Chemicals



Electronics



Oil/Gas



Air/Gas



Inks/Paints/ Coatings



Power



Coolants



Pulp & Paper

## FRP SERIES Fibreglass Reinforced Plastic Cartridge Filter Housings

- Up to 150psig (6.9bar) @ 200°F(93.3°C) standard design pressure with a safety factor of 4 (ASME design available for select models, call for information).
- Accepts multiple 30", 40", 50" or 60" cartridges.
- Steel components available in stainless steel 304 or 316 for models above FRP30.
- Housings accepts industry standard double open end style cartridges.
- Models can be designed to accept single open end cartridges.
- Swing bolt closure allows for quick element change out.
- Vessel material has a longer life expectancy when dealing with corrosive liquids, such as; sea water and brackish water.

For pricing or to order, please contact



204 North Link Lane #7  
Fort Collins, CO 80524  
Office 970-204-4758  
Fax 970-204-4764

[brandon@industrialfiltersource.com](mailto:brandon@industrialfiltersource.com)

# FRP SERIES

Fibreglass Reinforced Plastic  
Cartridge Filter Housing  
Universal

### HOUSING SPECIFICATIONS

**Inlet/Outlet**  
1" Flange - 18" Flange

**Dirty Drain**  
2" Flanged

**Clean Drain**  
2" Flanged

**Vent**  
1"-2" Flanged

**Body Material**  
FRP – Fibreglass Reinforced  
Plastic (vinyl-ester resin)

**External Finishing**  
Blue Exterior Paint  
Custom Paint Available

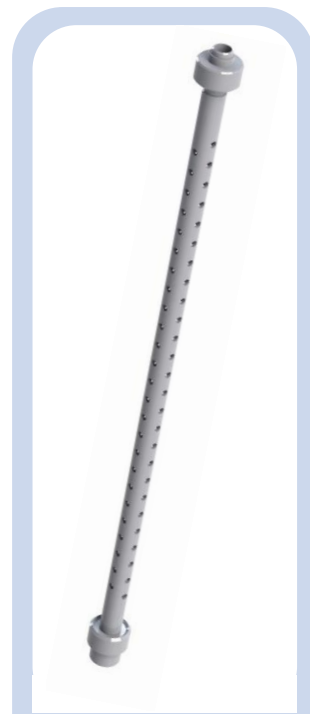
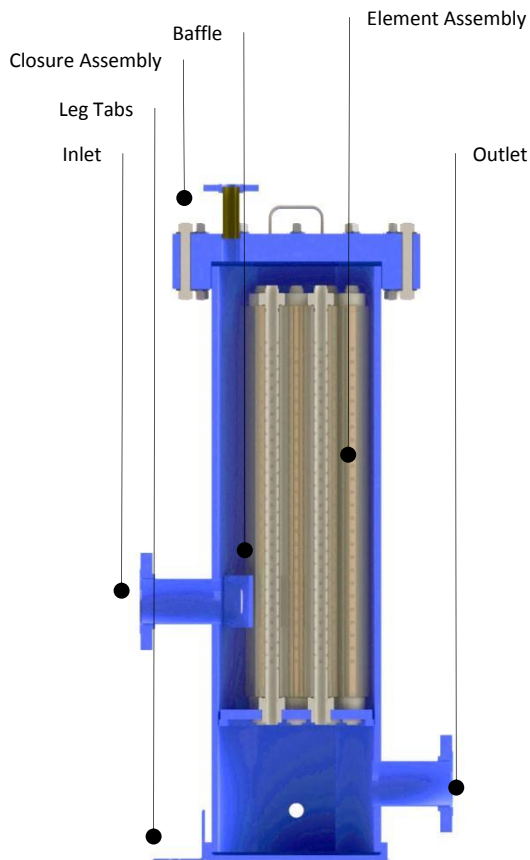
## FRP08 to FRP24

### MODEL FLOW RATES

MODEL	# OF FILTERS	MAX FLOW RATE (GPM)
FRP08-005-4-3F	5	200
FRP10-008-4-3F	8	160
FRP12-012-4-4F	12	240
FRP14-018-4-4F	18	360
FRP16-023-4-6F	23	460
FRP18-030-4-6F	30	600
FRP20-037-4-6F	37	740
FRP24-056-4-8F	56	1120

Flow rates based on water at 5gpm/10" (assuming 40" cartridges). Actual Flow rate is dependent on fluid viscosity, cartridge micron rating, contaminant and type of media.

### INTERNAL DETAILS



The internal PVC post is perforated to allow for even liquid distribution amongst the entire filter cartridge length. The top seat and bottom cup are also made of PVC.

For pricing or to order, please contact



204 North Link Lane #7  
Fort Collins, CO 80524  
Office 970-204-4758  
Fax 970-204-4764

brandon@industrialfiltersource.com

MATERIAL OF CONSTRUCTION	MAX. OPERATING PRESSURE (PSI @250°F)	MAX. DESIGN TEMP
304 STAINLESS STEEL	100 psi (10.3bar)	150°F
316 STAINLESS STEEL	100 psi (10.3bar)	150°F

\*\*150 psi also available if required

## FRP08 to FRP24

### MODEL DIMENSIONAL DETAILS

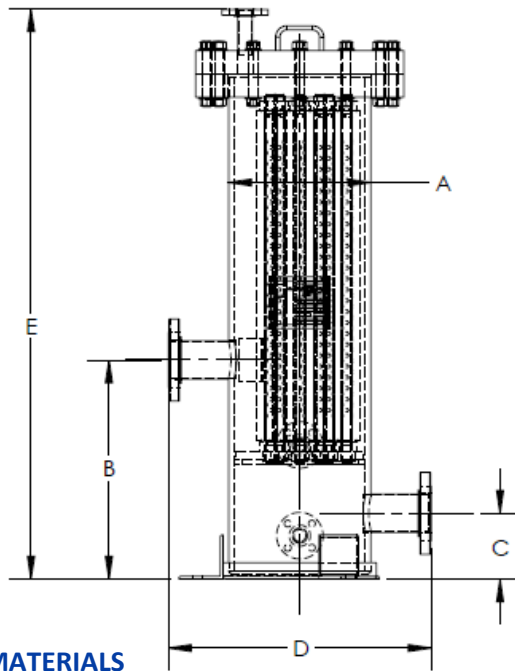
MODEL	SHIPPING WEIGHT (LBS)	A	B	C	D	E
FRP08-005-4-3F	125	9"	20"	6"	20"	62 1/16"
FRP10-008-4-3F	155	11"	20"	6"	22"	62 1/16"
FRP12-012-4-4F	230	13"	20"	6"	24"	62 1/16"
FRP14-018-4-4F	265	15"	18"	6"	28"	59 7/8"
FRP16-023-4-6F	280	17"	18"	6"	28"	60 7/8"
FRP18-030-4-6F	300	18 1/2"	20"	8"	30"	64 1/16"
FRP20-037-4-6F	320	20 1/2"	20"	8"	32"	65 1/16"
FRP24-056-4-8F	340	24 1/2"	20"	8"	36"	65 1/16"

#### REFERENCE CHART LEGEND

A	OUTSIDE DIAMETER
B	FLOOR TO INLET
C	FLOOR TO OUTLET
D	FACE TO FACE
E	OVERALL HEIGHT

#### STANDARD FRP08-FRP24 COMPLETE WITH:

- SS304 external steel components
- SS304/B7 bolting
- Thru-bolt design
- Tabbed legs



### FRP COMPARED TO ALTERNATE MATERIALS

#### FRP vs. SS316

FRP has a higher resistance to sea water.

#### FRP vs. Lined Vessels

No risk of damaging lining with an FRP Vessel.

#### FRP vs. Duplex Steel

FRP is a much more cost effective option.

#### HOUSING OPTIONS

##### Configuration Options

A – Side in/side out (standard)

##### O-Ring Options

(-) – Buna-N (standard)  
ED – EPDM  
VI – Viton  
SI – Silicone

##### Leg Options

LT – Leg Tabs (standard)

##### Head Lift Options

Handles (standard)

##### Filter Configuration

E1 – Double Open End (standard)

##### External Steel Attachments:

ATS4 – SS304 (standard)  
ATS6 – SS316

##### Bolting Options:

B1 – B7 Bolting (standard)  
B3 – B8 Bolting  
B4 – B8M Xylan Coated

##### Other Options

Skid Mounting  
Duplexing

##### Accessories

Direct Reading Gauge  
DP Gauge  
Safety Relief Valves  
Vent Valves  
Drain Valves  
Air Eliminator

For pricing or to order, please contact



204 North Link Lane #7  
Fort Collins, CO 80524  
Office 970-204-4758  
Fax 970-204-4764

brandon@industrialfiltersource.com

### PRODUCT NOMENCLATURE

FRP	18	30	4	6F	-	-	-	-	-	-
MODEL	HOUSING DIAMETER	# OF FILTERS	LENGTH	CONNECTION TYPE	O-RING	LEGS	HEAD LIFT	FILTER CONFIG	EXTERNAL ATTACHMENTS	BOLTING
FRP ASME CODE	SEE	SEE	3 – 30	SEE						
	TABLE	TABLE	4 – 40	TABLE						
			5 – 50							
			6 – 60							

SEE SIDE PANEL FOR OPTIONS

# FRP SERIES

Fibreglass Reinforced Plastic  
Cartridge Filter Housing  
Universal

### HOUSING SPECIFICATIONS

**Inlet/Outlet**  
1" Flange -18" Flange

**Dirty Drain**  
2" Flanged

**Clean Drain**  
2" Flanged

**Vent**  
1"-2" Flanged

**Body Material**  
FRP – Fibreglass Reinforced  
Plastic (vinyl-ester resin)

**External Finishing**  
Blue Exterior Paint  
Custom Paint Available

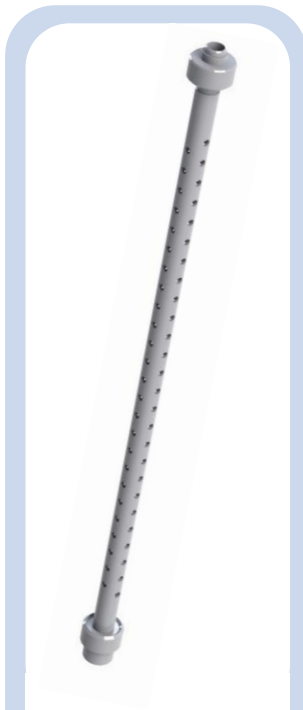
## FRP30 to FRP60

### MODEL FLOW RATES

MODEL	# OF FILTERS	MAX FLOW RATE (GPM)
FRP30-085-4-10F	85	1700
FRP36-132-4-12F	132	2640
FRP42-185-4-14F	185	3700
FRP48-250-4-16F	250	5000
FRP54-320-4-18F	320	6400
FRP60-400-4-20F	400	8000

Flow rates based on water at 5gpm/10" (assuming 40" cartridges). Actual Flow rate is dependent on fluid viscosity, cartridge micron rating, contaminant and type of media.

### INTERNAL DETAILS



The internal PVC post is perforated to allow for even liquid distribution amongst the entire filter cartridge length. The top seat and bottom cup are also made of PVC.

For pricing or to order, please contact



204 North Link Lane #7  
Fort Collins, CO 80524  
Office 970-204-4758  
Fax 970-204-4764

brandon@industrialfiltersource.com

MATERIAL OF CONSTRUCTION	MAX. OPERATING PRESSURE (PSI @250°F)	MAX. DESIGN TEMP
304 STAINLESS STEEL	100 psi (10.3bar)	150°F
316 STAINLESS STEEL	100 psi (10.3bar)	150°F

\*\*150 psi also available if required

## FRP30 to FRP60

### MODEL DIMENSIONAL DETAILS

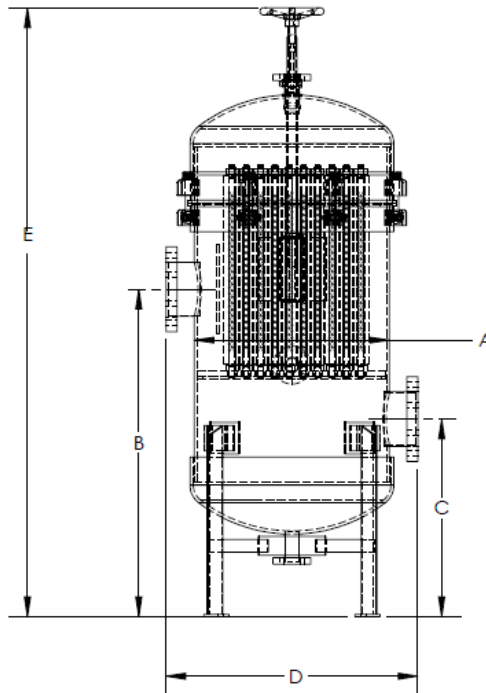
MODEL	SHIPPING WEIGHT (LBS)	A	B	C	D	E
FRP30-085-4-10F	560	32"	52"	31 3/8"	40"	102 1/8"
FRP36-132-4-12F	700	38"	64"	34"	48"	110"
FRP42-185-4-14F	1260	44"	68"	38"	54"	116"
FRP48-250-4-16F	1750	50"	70"	40"	70"	122"
FRP54-320-4-18F	3220	56"	72"	44"	76"	130"
FRP60-400-4-20F	5040	62"	74"	46"	82"	138"

#### REFERENCE CHART LEGEND

A	OUTSIDE DIAMETER
B	FLOOR TO INLET
C	FLOOR TO OUTLET
D	FACE TO FACE
E	OVERALL HEIGHT

#### STANDARD FRP30-FRP60 COMPLETE WITH:

- SS304 external steel components
- SS304/B7 bolting
- Head lift
- Legs



#### HOUSING OPTIONS

##### Configuration Options

A – Side in/side out (standard)

##### O-Ring Options

(-) – Buna-N (standard)  
ED – EPDM  
VI – Viton  
SI – Silicone

##### Head Lift Options

(-) – K1 – Head lift (standard)  
K3 – Hydraulic Jack Davit Side

##### Filter Configuration

E1 – Double Open End (standard)

##### External Steel Attachments:

ATS4 – SS304 (standard)  
ATS6 – SS316

##### Bolting Options:

B1 – B7 Bolting (standard)  
B3 – B8 Bolting  
B4 – B8M Xylan Coated

##### Other Options

Skid Mounting  
Duplexing

##### Accessories

Direct Reading Gauge  
DP Gauge  
Safety Relief Valves  
Vent Valves  
Drain Valves  
Air Eliminator

### FRP COMPARED TO ALTERNATE MATERIALS

#### FRP vs. SS316

FRP has a higher resistance to sea water.

#### FRP vs. Lined Vessels

No risk of damaging lining with an FRP Vessel.

#### FRP vs. Duplex Steel

FRP is a much more cost effective option.

### PRODUCT NOMENCLATURE

FRP	48	250	4	16F	-	-	-	-	-
MODEL	HOUSING DIAMETER	# OF FILTERS	LENGTH	CONNECTION TYPE	O-RING	HEAD LIFT	FILTER CONFIG	EXTERNAL ATTACHMENTS	BOLTING
FRP ASME CODE	SEE	SEE	3 – 30	SEE					
	TABLE	TABLE	4 – 40	TABLE					
			5 – 50						
			6 – 60						

SEE SIDE PANEL FOR  
OPTIONS

For pricing or to order, please contact



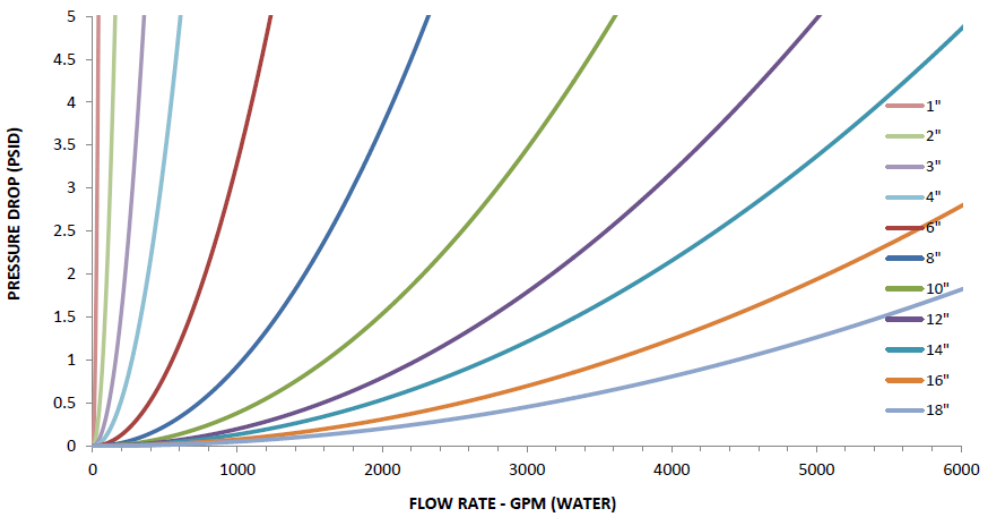
204 North Link Lane #7  
Fort Collins, CO 80524  
Office 970-204-4758  
Fax 970-204-4764

brandon@industrialfiltersource.com

# FRP SERIES

Fibreglass Reinforced Plastic  
Cartridge Filter Housing  
Universal

## FLOW CHART



For pricing or to order, please contact



204 North Link Lane #7  
Fort Collins, CO 80524  
Office 970-204-4758  
Fax 970-204-4764

[brandon@industrialfiltersource.com](mailto:brandon@industrialfiltersource.com)