



Fil-Trek

BH SERIES

Single Cartridge Filter Housings
Industrial Design
Universal



Water



Desalination



Chemicals



Electronics



Oil/Gas



Air/Gas



Inks/Paints/ Coatings



Power



Coolants



Pulp & Paper

BH SERIES

High Pressure Single Cartridge Filter Housing

- High pressure, single round cartridge housings.
- Accepts one (1) 10", 20", 30" or 40" long cartridge filters (2.5" or 2.75" OD).
- Housings rated from 150 psi to 3000 psig.
- Housings available in carbon steel, or stainless steel 304 or 316.
- Flange and socket weld connections optional.
- ASME U & UM stamps available.

For pricing or to order, please contact



204 North Link Lane #7
Fort Collins, CO 80524
Office 970-204-4758
Fax 970-204-4764

brandon@industrialfiltersource.com

BH SERIES

Single Cartridge Filter Housings
Industrial Design
Universal

HOUSING SPECIFICATIONS

Recommended Operating Pressure
150 PSI – 3,000 PSIG

Maximum Operating Temperature
300°F

Inlet/Outlet Sizes

1" (standard)
*Other inlet/outlet sizes may be available

Inlet/Outlet Connection Types

NPT (standard)
Flange
Socket Weld

Vent

1/4"

Drain

1/4"

Finish

Carbon steel – painted
Stainless steel – bead blast

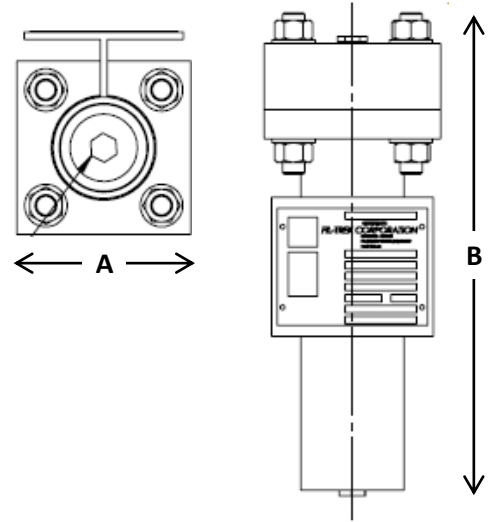
MODEL SPECIFICATIONS

MODEL	FLOW RATE (GPM)	SHIPPING WEIGHT (LBS)	A	B
BH1-1-1P	5	50	6"	16 1/2"
BH1-2-1P	10	57	6"	26 1/2"
BH1-3-1P	15	65	6"	36 1/2"
BH1-4-1P	20	76	6"	46 1/2"

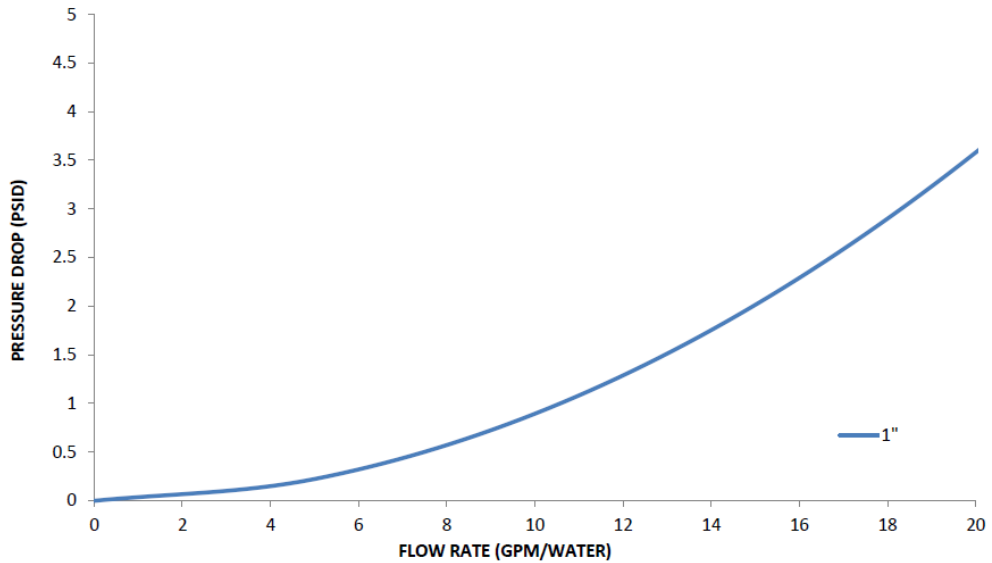
*Flow rates based on water at 5gpm/10". Actual Flow rate is dependent on fluid viscosity, cartridge micron rating, contaminant and type of media.
**Dimensions are based on 2.5" diameter cartridge filter design.

REFERENCE CHART LEGEND

A	OUTSIDE DIAMETER
B	OVERALL HEIGHT



FLOW CHART



PRODUCT NOMENCLATURE

S6	BH	1	30	1	P	
MATERIAL	MODEL	# OF FILTERS	FILTER LENGTH	CONNECTION SIZE	CONNECTION TYPE	HOUSING RATING
CARBON (BLANK)	BH SERIES	1	1 – 10"	1"	P – NPT	150 PSI (BLANK)
S4 – SS304			2 – 20"		F – FLANGE	300 – 300 PSI
S6 – SS316			3 – 30"		SW – SOCKET WELD	*OTHER RATING AVAILABLE

NOTE: Max. rated pressure is for housing only. Safe operating temperature and pressure depends on filter element and gasket selection.

For pricing or to order, please contact



204 North Link Lane #7
Fort Collins, CO 80524
Office 970-204-4758
Fax 970-204-4764

brandon@industrialfiltersource.com