

**V - BANK
SIDE ACCESS
HOUSING FOR
ASHRAE RATED
FILTERS**



FEATURES:

- ☑ Available in Two Filter Depths
- ☑ Available in Galvanized and Stainless Steel
- ☑ Welded Construction
- ☑ Corner Supports for Rigidity
- ☑ Flexible in Possible Filter Options
- ☑ V-Bank Design
- ☑ Positive Tension, Gasketed Doors
- ☑ Welded and Caulked Seams
- ☑ Large List of Options

The TRI-MET VB™ filter housing is a permanent single stage unit designed to hold ASHRAE rated prefilters. The TRI-MET VB™ can accommodate both 2" and 4" filters in a low-pressure drop V Bank configuration.

The TRI-MET VB™ unit is fabricated from galvanized steel or optional stainless steel and utilizes welded construction to ensure a robust assembly. In addition the filter tracks inside the TRI-MET VB™ unit are welded in place to guarantee years of dependable performance. Upstream corner supports increase the rigidity of the unit. Each TRI-MET VB™ housing is custom manufactured to meet specific end user requirements.

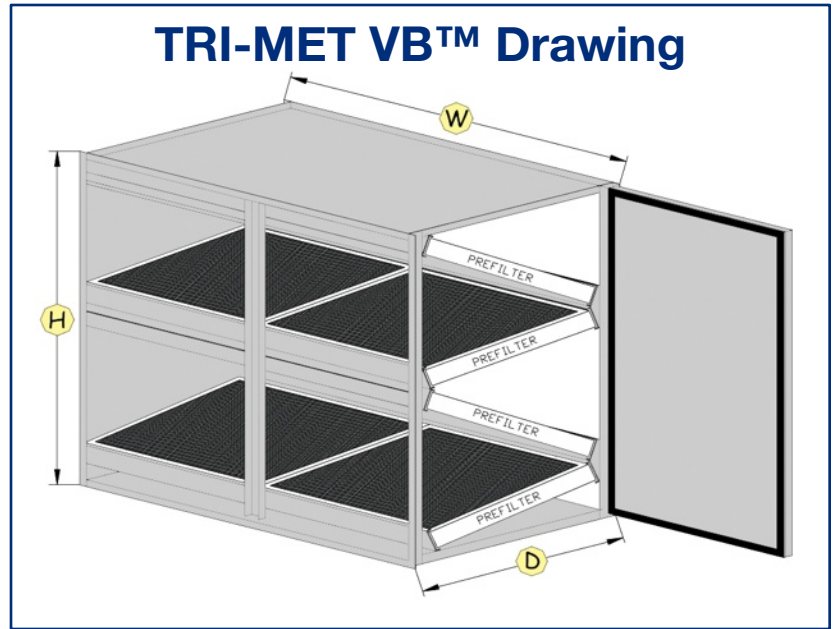
The TRI-MET VB™ housing accommodates different types and efficiencies of ASHRAE rated filters. Check individual filter rating to determine specific efficiency and flow rates. The angled V - Bank design efficiently doubles the filter face area – allowing for a smaller footprint in applications where space is at a premium.

Positive tension door locks make filter servicing easy and combined with a perimeter gasketing around the door ensures a positive seal. Straight seams on the TRI-MET VB™ housings are intermittently welded and silicone caulked to prevent air leakage.

The TRI-MET VB™ comes with a large number of options so housings can be customized to meet any application specific requirements.

TRI-MET VB™ Options

- ▲ Vertical Flow Application
- ▲ Weather Cover
- ▲ Bottom Access
- ▲ Lifting Lugs
- ▲ Transitions
- ▲ Custom and Drilled Flanges
- ▲ Double Wall Insulation
- ▲ Static Port(s)
- ▲ Magnehelic Gauge
- ▲ Seam Welding



TRI-MET VB™ Specifications

LEGEND Capacity Dimensions (HxW) Number of Filters Face Area (Sq. Ft.)		Unit Width			
		1	2	3	4
Unit Height	1	4,000 CFM 26-7/8"x26-1/8" 2-24x24 Filter 8 Sq Ft	8,000 CFM 26-7/8"x49-1/2" 4-24x24 Filter 16 Sq Ft	12,000 CFM 26-7/8"x72-7/8" 6-24x24 Filter 24 Sq Ft	16,000 CFM 26-7/8"x96-1/4" 8-24x24 Filter 32 Sq Ft
	2	8,000 CFM 51"x26-1/8" 4-24x24 Filter 16 Sq Ft	16,000 CFM 51"x49-1/2" 8-24x24 Filter 32 Sq Ft	24,000 CFM 51"x72-7/8" 12-24x24 Filter 48 Sq Ft	32,000 CFM 51"x96-1/4" 16-24x24 Filter 64 Sq Ft
	3	12,000 CFM 75-1/8"x26-1/8" 6-24x24 Filter 24 Sq Ft	24,000 CFM 75-1/8"x49-1/2" 12-24x24 Filter 48 Sq Ft	36,000 CFM 75-1/8"x72-7/8" 18-24x24 Filter 72 Sq Ft	48,000 CFM 75-1/8"x96-1/4" 24-24x24 Filter 96 Sq Ft
	4	16,000 CFM 99-1/4"x26-1/8" 8-24x24 Filter 32 Sq Ft	32,000 CFM 99-1/4"x49-1/2" 16-24x24 Filter 64 Sq Ft	48,000 CFM 99-1/4"x72-7/8" 24-24x24 Filter 96 Sq Ft	64,000 CFM 99-1/4"x96-1/4" 32-24x24 Filter 128 Sq Ft

NOTES

Capacity is reported in CFM at a flow rate of 500 FPM

Dimensions are reported in exact size in inches and Height x Width

Number of Filters are reported in quantity and nominal dimensions

Face Area is reported as face area of air filters – nominal size in square feet

Standard Housing Depth

2" Filter = 26 3/8"

4" Filter = 27 3/8"

Special and Half Size Units are available

Tri-Dim Filter Corporation is committed to continual product development – all descriptions, specifications and performance data are subject to change without notice.

Tri-Dim products are manufactured to exacting criteria - there can be a ±5% variance in filter performance. Tri-Dim® and Tri-Dek® are Registered Trademarks of Tri-Dim Filter Corporation.

TRI-MET™ is a Trademark of Tri-Dim Filter Corporation



TRI-DIM
FILTER CORPORATION
TRI-DIM FILTER CORPORATION
P.O. BOX 466 • 93 INDUSTRIAL DRIVE
LOUISA, VA 23093
(540) 967-2600 • FAX: (540) 967-2835



Local Representation:



204 N. Link Lane #7
Fort Collins, CO 80524
Office: 970-204-4758 Fax: 970-204-4764
Brandon@IndustrialFilterSource.com
IndustrialFilterSource.com.

Brochure #2500-4
Revision: 08/2015

