

LP SERIES

HIGH EFFICIENCY AIR CLEANERS

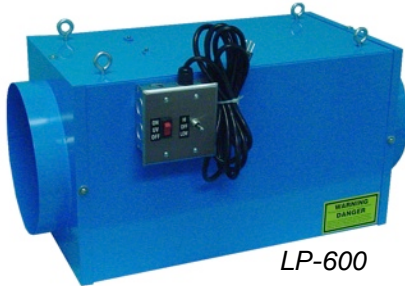


*Designed to eliminate
smoke,
pollen,
mold spores,
dust
and odors.*





LP-1000



LP-600

The LP SERIES of High Efficiency Air Cleaners are designed to eliminate smoke, pollen, mold spores, dust and odors. The LP Series is offered in two different size models – the LP-1000, which features 1200 CFM, and the LP-600, which features 600 CFM.

HOW THE LP SERIES WORKS

Contaminated air is drawn through the prefilters and the mini-pleat filters where the airborne particles are removed. The air then passes through the optional UV Germicidal light section where airborne microbials are sterilized. Then the optional ozone bleaches the gaseous contaminants out. The clean air then passes through the final carbon filter where residual ozone is removed and the clean air is supplied back to the room.

FEATURES & BENEFITS

Low Maintenance

Disposable filters are long lasting and easily removed through the hinged grilles. Room side access makes the filter change fast and easy.

Inconspicuous

The attractive grilles fit flush with the ceiling. The blower module is hidden above the ceiling.

Quiet

The LP Series are whisper quiet even on the maximum speed setting.

Easy Installation

Special mounting brackets with eyebolts are factory installed on the blower module. The return and supply grilles are designed to lay in a standard 2 x 2 ceiling tile grid.



LP Series Supply Grille with Gas Phase Filter



LP Series Return Grille with Particulate Filters

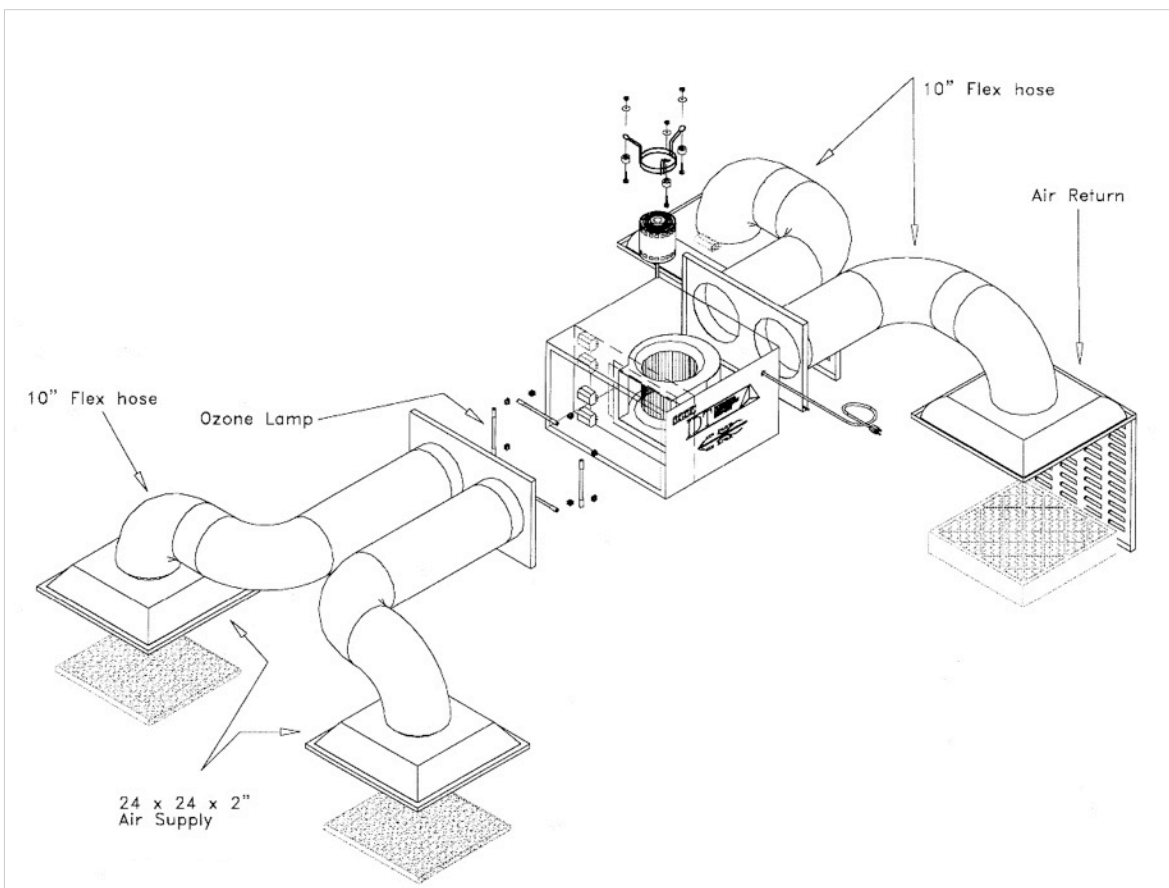


APPLICATIONS

- ▲ MEETING ROOMS
- ▲ BANQUET HALLS
- ▲ RESTAURANTS
- ▲ CASINOS
- ▲ SMOKING LOUNGES
- ▲ BINGO HALLS
- ▲ LITHOGRAPHY
- ▲ CHECK PROCESSING CENTERS
- ▲ COMPUTER ROOMS

OPTIONAL

- ▲ OZONE SYSTEM
- ▲ UV GERMICIDAL LIGHTS
- ▲ FLEX DUCT
- ▲ REMOTE WIRED CONTROL
- ▲ FILTER EFFICIENCIES -
65% ASHRAE (MERV 11) UP TO
HEPA (99.97% @ 0.3 MICRON)
- ▲ 208-230 VAC 1 PHASE



Drawing of LP-1000
(LP-600 not shown includes one return and one supply filter grille)

Tri-Dim Filter Corporation is committed to continual product development – all descriptions, specifications and performance data are subject to change without notice.

Tri-Dim products are manufactured to exacting criteria - there can be a $\pm 5\%$ variance in filter performance.

Tri-Dim® and Tri-Dek® are Registered Trademarks of Tri-Dim Filter Corporation. LP1000™ and LP600™ are Trademarks of Tri-Dim Filter Corporation.



TRI-DIM
FILTER CORPORATION

TRI-DIM FILTER CORPORATION
P.O. BOX 466 • 93 INDUSTRIAL DRIVE
LOUISA, VA 23093
(540) 967-2600 • FAX: (540) 967-2835



Local Representation:

BROCHURE #2100-10
Revision: 10/2015

