



Water



Desalination



Chemicals



Electronics



Oil/Gas



Air/Gas



Inks/Paints/ Coatings



Power



Coolants



Pulp & Paper

# MPH SERIES Horizontal Membrane Protection Housings

## FEATURES:

- Multi-purpose industrial ASME "U" & "UM" code housings.
- Equivalent of Parker Fulflo MP housings.
- Accepts multiple 30" or 40" cartridges.
- 150psig (10.3bar) @ 250°F(121.1°C) design pressure.
- Vessels available in stainless steel 304 or 316 (LDX2101, C276, AL6XN, RA2205 & Monel 400 also available).
- Bead blasted exterior and passivated interior/exterior surfaces to help prevent corrosion.
- Multi-purpose filter seat cups accept industry standard double open end and 222 style cartridges.
- Swing bolt closure allows for quick element change out.
- Stainless steel 304 bolting and davit standard.
- Includes removable internal cartridge support plate.

## TYPICAL APPLICATIONS

- De-ionized Water
- Brackish & Sea Water
- RO Prefiltering
- Electronic Rinse Water
- Semiconductor Process Water
- Potable Water
- Boiler Feed Water

For pricing or to order, please contact



204 North Link Lane #7  
Fort Collins, CO 80524  
Office 970-204-4758  
Fax 970-204-4764

[brandon@industrialfiltersource.com](mailto:brandon@industrialfiltersource.com)

# MPH SERIES

Horizontal  
Membrane Protection Series  
ASME Design  
Universal

**Housing Specifications**

**Inlet/Outlet**  
3" Flange - 22" Flange

**Dirty Drain**  
2" NPT

**Clean Drain**  
2" NPT

**Vent**  
1/2" NPT

**Gauges**  
1/2" NPT

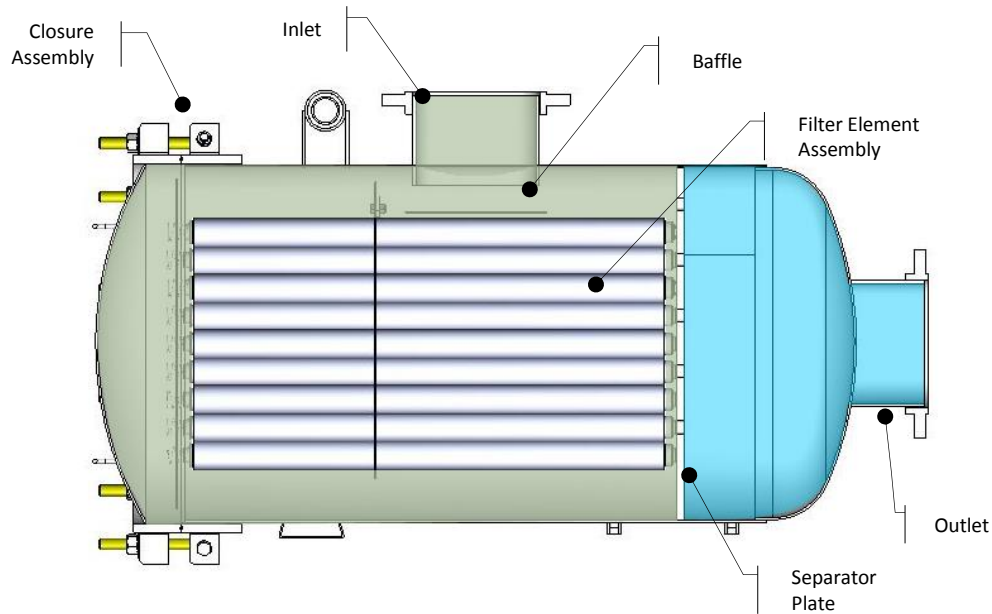
**Certifications**

- U
- UM
- CE
- NB
- CRN

**MODEL FLOW RATES**

MODEL	# OF FILTERS 2.5"	FLOW RATE-GPM 2.5"	MAX INLET/OUTLET
MPH12-4-3F	12	240	4"
MPH14-4-3F	14	280	4"
MPH17-4-4F	17	340	4"
MPH20-4-6F	20	400	6"
MPH29-4-6F	29	580	6"
MPH34-4-6/8F	34	680	6"
MPH40-4-8F	40	800	8"
MPH52-4-8F	52	1040	8"
MPH062-4-8F	62	1240	8"
MPH70-4-8/10F	70	1400	10"
MPH86-4-10F	86	1720	10"
MPH103-4-10F	103	2060	10"
MPH110-4-10F	110	2200	12"
MPH118-4-12F	118	2520	12"
MPH140-4-12F	140	2800	14"
MPH150-4-14F	150	3000	14"
MPH176-4-16F	176	3560	14"
MPH190-4-16F	190	3800	16"
MPH205-4-16F	205	4100	16"
MPH225-4-16F	225	4500	16"
MPH245-4-18F	245	4900	18"
MPH316-4-18F	316	6320	18"

Flow rates based on water at 5gpm/10" (Assuming 40" Cartridges). Actual Flow rate is dependent on fluid viscosity, cartridge micron rating, contaminant and type of media.



For pricing or to order, please contact



204 North Link Lane #7  
Fort Collins, CO 80524  
Office 970-204-4758  
Fax 970-204-4764  
brandon@industrialfiltersource.com

MATERIAL OF CONSTRUCTION	MAX. OPERATING PRESSURE (PSI @250°F)	MAX. DESIGN TEMP
304 STAINLESS STEEL	150 psi (10.3bar)	300°F (150°C)
316 STAINLESS STEEL	150 psi (10.3bar)	300°F (150°C)

## MODEL DIMENSIONAL DETAILS

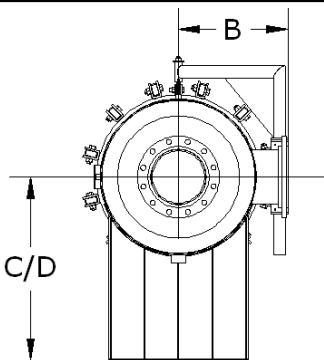
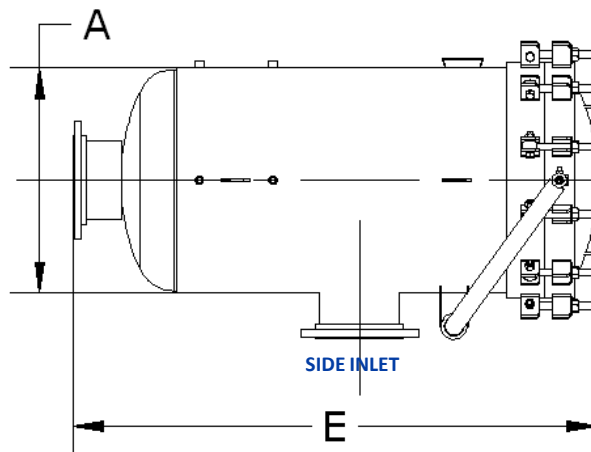
MODEL	SHIPPING WEIGHT (LBS)	A	B	C	D	E
MPH12-4-3F	250	12 1/8"	8"	36"	36"	58"
MPH14-4-3F	300	13 1/8"	10"	36"	36"	58"
MPH17-4-4F	365	14 1/8"	12"	36"	36"	58"
MPH20-4-6F	425	16 1/8"	14"	36"	36"	58"
MPH29-4-6F	500	18 1/8"	15"	36"	36"	60"
MPH34-4-6/8F	600	20 1/8"	16"	36"	36"	62"
MPH40-4-8F	900	22 1/8"	16"	36"	36"	66"
MPH52-4-8F	975	24 1/8"	17"	36"	36"	66"
MPH062-4-8F	1100	26 1/8"	18"	36"	36"	67"
MPH70-4-8/10F	1400	28 1/8"	20"	36"	36"	68"
MPH86-4-10F	1600	30 1/8"	21"	36"	36"	69"
MPH103-4-10F	1750	32 1/8"	22"	36"	36"	69"
MPH110-4-10F	2100	34 1/8"	24"	36"	36"	72"
MPH118-4-12F	2700	36 1/8"	27"	36"	36"	74"
MPH140-4-12F	2900	38 1/8"	29"	36"	36"	75"
MPH150-4-14F	3300	40 1/8"	29"	36"	36"	80"
MPH176-4-16F	4100	42 1/8"	29"	36"	36"	84"
MPH190-4-16F	4500	44 1/8"	32"	36"	36"	86"
MPH205-4-16F	4900	46 1/8"	32"	36"	36"	88"
MPH225-4-16F	5500	48 1/4"	37"	43"	43"	91"
MPH245-4-18F	6000	50 1/8"	37"	43"	43"	94"
MPH316-4-18F	6500	56 1/8"	37"	43"	43"	96"

NOTE: Above dimensions are for Style C. For other options contact factory.

### REFERENCE CHART LEGEND

A	OUTSIDE DIAMETER
B	FACE TO CENTER
C	FLOOR TO OUTLET
D	FLOOR TO INLET
E	OVERALL HEIGHT

### Style C



## PRODUCT NOMENCLATURE

L4	MPH	20	4	6F	-	-	-	-
MOC	MODEL	# OF FILTERS	LENGTH	CONNECTION TYPE	CONFIGURATION	FILTER CONFIG	FINISH	O-RING
L4 SS304	MP ASME CODE	SEE TABLE	30	SEE TABLE	(-) SIDE IN/BOTTOM OUT	SEE SIDE PANEL FOR OPTIONS		
L6 SS316			40		E TOP ENTRY/BACK OUT			

### Configuration Options

- (-) – Side in/Back out (standard)
- E – Top entry/Back out

### Finish Options

- (-) – Bead Blast (standard)
- (-) – Passivation (standard)
- EP1 – Electro polish Inside/Outside
- EP2 – Inside only
- EP3 – Outside only

### O-Ring Options

- (-) – Buna-N (standard)
- ED – EPDM
- VI – Viton
- SI – Silicone
- TEV – Teflon encapsulated Viton
- TF – Teflon

### Head Lift Options

- K1 – Mechanical head lift
- K2 – Hinge
- K3 – Hydraulic head lift

### Accessories

- Direct Reading Gauge
- DP Gauge
- Safety Relief Valves
- Vent Valves
- Drain Valves
- Air Eliminator

### Filter Configuration

- E1 – Double Open End
- E2 – DOE with Gasket Ends
- E3 – DOE with 1" Ext. Core
- E4 – SOE Flat End 222 Open End
- E5 – SOE Fin End 222 Open End
- E8 – SOE Plastic Spring Top 222
- E9 – SOE Plastic Spring Top

For pricing or to order, please contact



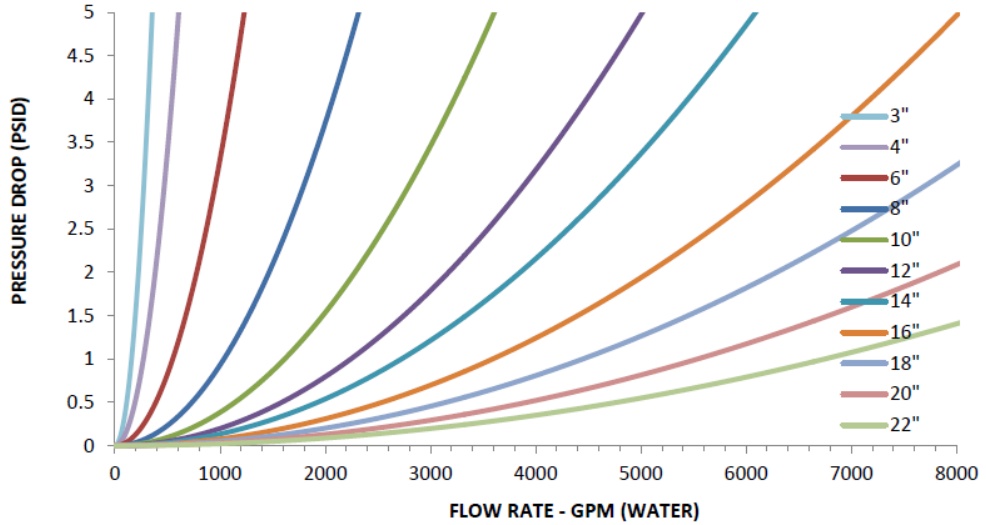
204 North Link Lane #7  
Fort Collins, CO 80524  
Office 970-204-4758  
Fax 970-204-4764

brandon@industrialfiltersource.com

# MPH SERIES

Horizontal  
Membrane Protection Series  
ASME Design  
Universal

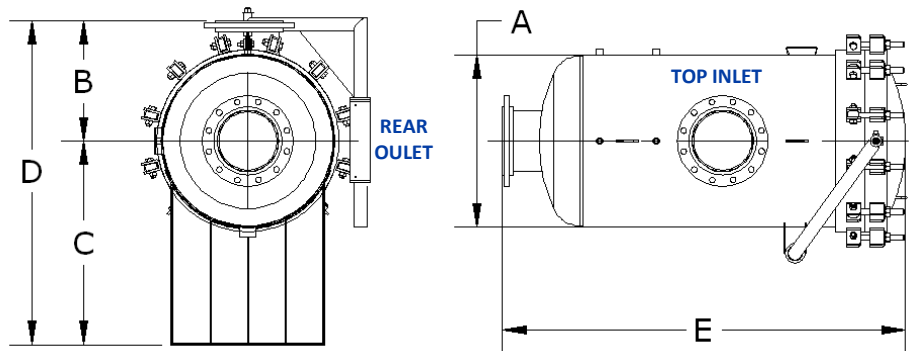
## FLOW CHART



## ADDITIONAL MODEL CONFIGURATIONS

### STYLE E

Top entry/Back out



For pricing or to order, please contact



204 North Link Lane #7  
Fort Collins, CO 80524  
Office 970-204-4758  
Fax 970-204-4764

[brandon@industrialfiltersource.com](mailto:brandon@industrialfiltersource.com)