

BF Series

Single Bag Housings: #1, #2, #3 and #4 sizes



- Designed for industrial and commercial filter applications
- Heavy duty construction for maximum durability
- 1/8" perforated stainless steel basket (optional perforations and mesh sizes available)
- #1 and #2 Size Housings:
 - Available in 316L Stainless Steel, 304L Stainless Steel or Carbon Steel construction for a wide range of chemical compatibility
 - Clamp or Swing Bolt closures
 - Stainless steel compression spring provides positive bag sealing
 - Adjustable stainless steel leg assembly
 - 1/4" FNPT gauge ports and 1/2" FNPT drain port
- #3 and #4 Size Housings:
 - 316 Stainless Steel construction
 - Clamp closure for easy bag change outs
 - Optional compression spring and adjustable mounting legs

Applications

Water	Chemicals
Food & Beverage	Electronics
Oil	Inks / Paints / Coatings
Coolants	Pulp & Paper

Specifications & Operating Parameters

Maximum Operating Pressure

150 psig (10.3 bar) @ 300°F (149°C)

Connections

Inlet /Outlet:

2" FNPT (#1 and #2 Sizes)

3/4", 1" and 1 1/2" FNPT (#3 and #4 Sizes)

Optional: RF Flanges or Sanitary Ferrules

Drain Port: 1/2" FNPT (#1 and #2 Sizes)

Gauge Ports: 1/4" FNPT - clean and dirty sides (#1 and #2 sizes)

Vent Port: 1/4" NPT Plug

Gaskets

Buna N

Optional: EPR, Silicone, Teflon Encapsulated Silicone, Viton

Baskets

1/8" perforated stainless steel

Options: various perforation and mesh sizes

Materials of Construction

Head / Shell:

#1 and #2 Sizes

316L Stainless Steel, 304L Stainless Steel, Carbon Steel

#3 and #4 Sizes

316L Stainless Steel

Eye Nuts: Zinc plated steel

Mounting Legs: 304L Stainless Steel

Options

- Side Inlet / Side Outlet (#1 and #2 sizes)

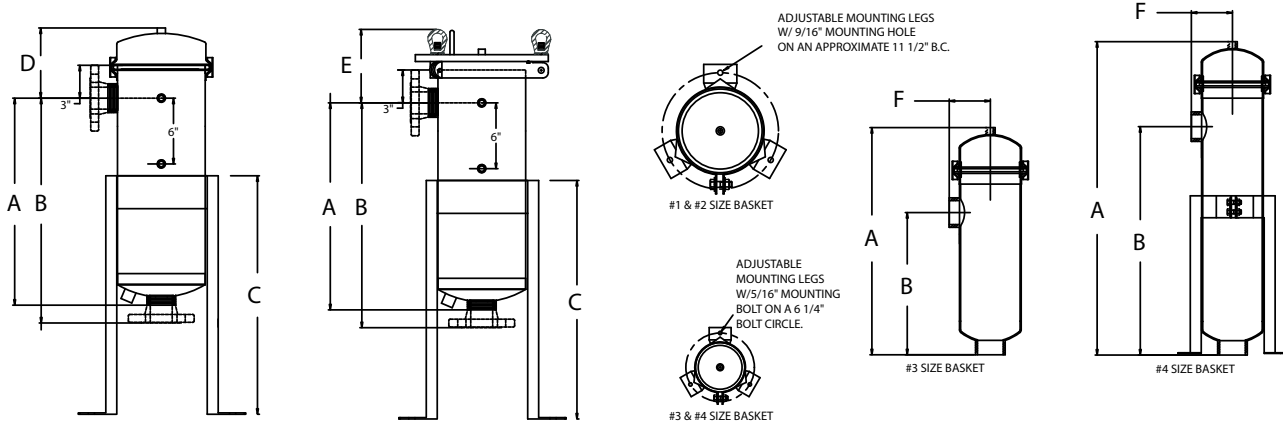
- 134 epoxy coating for seawater and corrosive applications

See ordering guide for complete selection of options

MODEL AND BAG SIZE	CLOSURE	MAX FLOW RATE* GPM (LPM)	DRAIN SIZE	DIMENSIONS					
				A	B	C	D	E	F
BFS-1 / BFC-1	Clamp or Swing Bolt	70 (265)	1/2"	18 7/8" (47.9 cm)	20 1/2" (52.1 cm)	21 3/4" (55.2 cm)	3" (7.6 cm)	6 11/16" (17.0 cm)	3" (7.6 cm)
BFS-2 / BFC-2	Clamp or Swing Bolt	150 (567)	1/2"	34 7/8" (88.6 cm)	22 3/4" (92.7 cm)	21 3/4" (55.2 cm)	3" (7.6 cm)	6 11/16" (17.0 cm)	3" (7.6 cm)
BFS-3	Clamp	25 (95)		16 9/16" (42.1 cm)	10 3/8" (26.4 cm)				
BFS-4	Clamp	40 (151)		22 7/8" (58.1 cm)	16 11/16" (42.4 cm)				

*Flow rates are guidelines only. Actual flow rates are based upon fluid, viscosity, bag type, micron ratings and other factors

Dimensions



Ordering Guide (Example: BFS-2SB-2-316-B)

BFS		-	SB		-	2		-	316		-	B	
MODEL	BAG SIZE		CLOSURE			PIPE SIZE			MATERIAL			CONNECTION ORIENTATION	GASKET
#1 and #2 Sizes													
BFS = Stainless Steel	1		C = Clamp			2 = 2" FNPT (standard)			304 = 304 SS			Blank = Side In / Bottom Out	B = Buna N (Standard)
BFS = Carbon Steel	2		SB = Swing Bolt			2F = 2" RF Flange			316 = 316 SS			2 = Side In / Side Out	E = EPR
						3 = 3" FNPT			134 = 134 Coating over 304 SS*				S = Silicone
						3F = 3" RF Flange							V = Viton
						2TC = 2" Sanitary Ferrules							
#3 and #4 Sizes													
BFS = Stainless Steel	3		C = Clamp			75 = 3/4" FNPT			316 = 316 SS			Blank = Side In / Bottom Out	B = Buna N (Standard)
	4					1 = 1" RF Flange						2 = Side In / Side Out	E = EPR
						1.5 = 1 1/2" FNPT (standard)						(Hold Down Spring Recommended)	S = Silicone
													V = Viton

* Note: 134 Coating must have swing bolt closure and flanged connections.

Customization

Housings may be customized to meet your precise requirements. Contact a FilterSource technical consultant for more information.



204 N. Link Lane #7
Fort Collins, CO 80524
Office: 970-204-4758 Fax: 970-204-4764
Brandon@IndustrialFilterSource.com
IndustrialFilterSource.com

MicroSentry™, MicroVantage™, Shelco Filters® and the Shelco logo are registered trademarks of the Tinny Corporation. Shelco Filters is a division of the Tinny Corporation.