



# Fil-Trek

# AQ SERIES

Cartridge Filter Housings  
ASME Design/Industrial Design  
Universal



Water



Desalination



Chemicals



Electronics



Oil/Gas



Air/Gas



Inks/Paints/ Coatings



Power



Coolants



Pulp & Paper

## AQUALINE SERIES Multi-Cartridge Filter Housings

- Economic multi-purpose cartridge filter housings available in ASME code and non-code industrial design housings.
- 150psig (10.3bar) @ 250°F(121.1°C) design pressure.
- Manufactured to accept multiple 10", 20", 30" and 40" cartridge filters.
- Vessels available in stainless steel 304 or 316.
- Available in swing bolt closures.
- Housings accept industry standard SOE and DOE filter cartridge configurations.

For pricing or to order, please contact



204 North Link Lane #7  
Fort Collins, CO 80524  
Office 970-204-4758  
Fax 970-204-4764

[brandon@industrialfiltersource.com](mailto:brandon@industrialfiltersource.com)

# AQ SERIES

Cartridge Filter Housings  
ASME Design/Industrial Design  
Universal

## Housing Specifications

**Inlet/Outlet**  
1" to 6"

## Inlet/Outlet Connection Types

Flange  
Female Coupling  
Male Coupling  
Ferrules  
Grooved Fittings (Victaulic)  
BSP (British)

## Dirty Drain

1/2" NPT – AQ08 to AQ10  
1" NPT – AQ12 to AQ16

## Clean Drain

1/2" NPT – AQ08 to AQ10  
1" NPT – AQ12 to AQ16

## Vent

1/2" NPT

## Gauges

1/2" NPT

## Certifications

U  
UM  
CRN

# Aqualine Series

Fil-Trek's AQ series are ideal for use in industrial and commercial applications where flow rates vary between 20 and 1200 GPM. Each model is available in both stainless steel 304 and 316 and has a standard design pressure of 150psi (10 bar) @ 300°F.

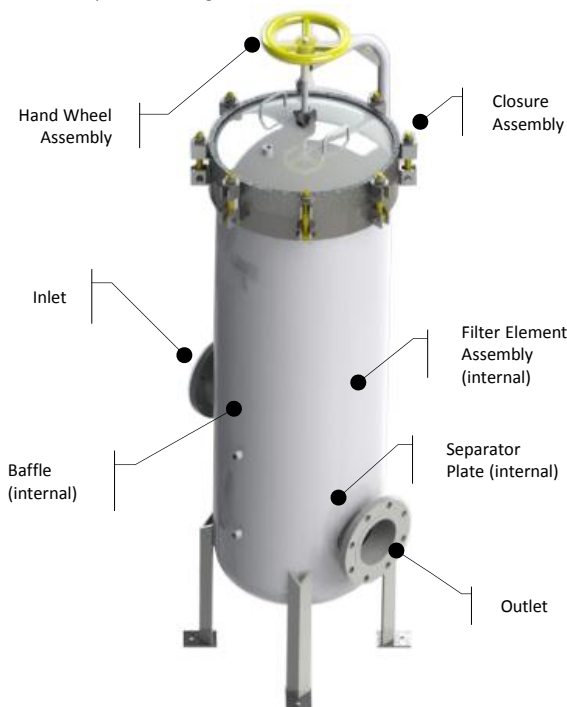
## Each model is standard with the following:

- A choice of v-band or swing bolt closures (v-band available for 8" non-code)
- External bead blast finish
- Buna-N gasket (other materials available)
- 2 gauge ports
- Universal bottom cups
- Fully welded construction throughout
- DOE filter cartridge configuration
- Legs (no legs on AQ08 and under, standard legs on AQ09/10 and heavy duty legs on AQ12 and above)
- Raised face weld neck flange for AQ08 to AQ14 and raised face slip on flange for AQ16

## MODEL FLOW RATES

MODEL	# OF FILTERS	MAX FLOW RATE	AVAILABLE INLET/OUTLET SIZES
EAQ04*	1	20	1"
AQ08-004	4	80	1" – 2.5"
AQ08-005	5	100	1" – 2.5"
AQ09	7	140	1" – 3"
AQ10	9	180	1" – 3"
AQ12	12	240	2" – 6"
AQ14	19	380	2" – 6"
AQ16	25	500	2" – 6"

\*EAQ04 only available in non-code. Flow rates based on water at 5 GPM/10" length (assuming 40" long cartridges). Actual flow rates are dependant on fluid viscosity, micron rating, contaminants and filter media.



For pricing or to order, please contact



204 North Link Lane #7  
Fort Collins, CO 80524  
Office 970-204-4758  
Fax 970-204-4764

brandon@industrialfiltersource.com

MATERIAL OF CONSTRUCTION	MAX. OPERATING PRESSURE (PSI @250°F)	MAX. DESIGN TEMP
304 STAINLESS STEEL	150 psi (10.3bar)	300°F (150°C)
316 STAINLESS STEEL	150 psi (10.3bar)	300°F (150°C)

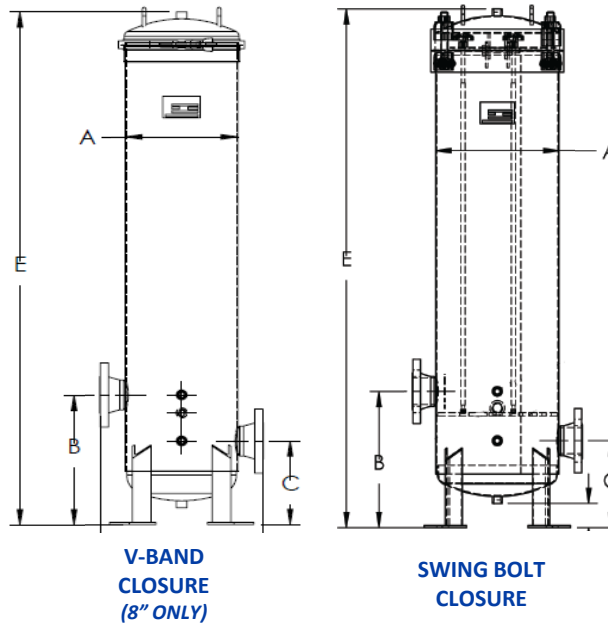
## MODEL DIMENSIONAL DETAILS

MODEL	SHIPPING WEIGHT	A	B	C	D	E
EAQ04-001-4*	40	4 1/2"	7"	3"	11"	45 1/2"
AQ08-004-4	150	8"	7"	3"	12"	56 3/4"/50 1/8"
AQ08-005-4	150	8"	7"	3"	12"	56 3/4"/50 1/8"
AQ09-007-4	115	9"	10 9/16"	5 13/16"	13"	54 3/16"/51 3/4"
AQ10-009-4	115	10"	10 9/16"	5 13/16"	14 1/2"	54 1/8"/52 5/16"
AQ12-012-4	200	12"	15 1/8"	9 3/4"	17 7/16"	61 1/4"/59 13/16"
AQ14-019-4	255	14 5/16"	15 7/8"	10 1/8"	19 13/16"	60 7/16"/60 15/16"
AQ16-025-4	280	16 3/8"	21 1/2"	13 1/4"	22 5/16"	66 1/2"/64 11/16"

\*EAQ04 only available in non-code.

### REFERENCE CHART LEGEND

<b>A</b>	OUTSIDE DIAMETER
<b>B</b>	FLOOR TO INLET
<b>C</b>	FLOOR TO OUTLET
<b>D</b>	FACE TO FACE
<b>E</b>	OVERALL HEIGHT (SW/VB)



### HOUSING OPTIONS

#### Finish Options

- (-) – Bead Blast (standard)
- EP1 – Electro polish Inside/Outside
- EP2 – Inside only
- EP3 – Outside only
- PP – Passivation

#### Leg Options

- (-) – No Legs (standard for AQ08)
- LT – Tabs
- LM – Legs (standard for AQ09 & AQ10)
- LA – Heavy Duty Legs (standard for AQ12 to AQ16)

#### O-Ring Options

- (-) – BN – Buna-N (standard)
- ED – EPDM
- VI – Viton
- SI – Silicone
- TEV – Teflon encapsulated Viton

#### Head Lift Options

- (-) – None (standard for AQ08 to AQ10)
- (-) – K2 – Hinge (standard w/ swing bolt closures for AQ12 to AQ16)

#### Filter Configuration

- (-) – E1 – Double Open End (standard)
- E2 – DOE w/ Gaskets
- E3 – DOE w/ Extended Core
- E4 – Single Open End w/ 222
- E5 – 222/Fin
- E8 – 222/Spring
- E9 – SOE w/ Spring

#### Accessories

- Direct Reading Gauge
- DP Gauge
- Safety Relief Valves
- Vent Valves
- Drain Valves
- Air Eliminator

#### Other Options

- Stainless Steel Bolting

## PRODUCT NOMENCLATURE

S4	AQ	09	007	4	2P	SW	-	-	-	-	-
MATERIAL	MODEL	HOUSING DIAMETER	# OF FILTERS	FILTER LENGTH	CONNECTION TYPE	CLOSURE STYLE	FINISH	LEGS	O-RINGS	HEAD LIFT	FILTER CONFIG
S4 – 304L	AQ – ASME CODE	SEE TABLE	SEE TABLE	1 – 10*	SEE TABLE	SW – SWING BOLT					
S6 – 316L	EAQ – NON-CODE			2 – 20*	TABLE	VB – V-BAND**	SEE SIDE PANEL FOR OPTIONS				
				3 – 30							
				4 – 40							

\*ONLY AVAILABLE FOR AQ04 TO AQ12

\*\*V-BAND CLOSURES ONLY AVAILABLE FOR 8" EAQ (EAQ08).

**NOTE:** The AQ series in an ASME code stamped housing. This vessel is also available in a non-code design that is built to code but is not stamped.

For non-code, add the prefix "E" to the AQ in the part number.

For pricing or to order, please contact



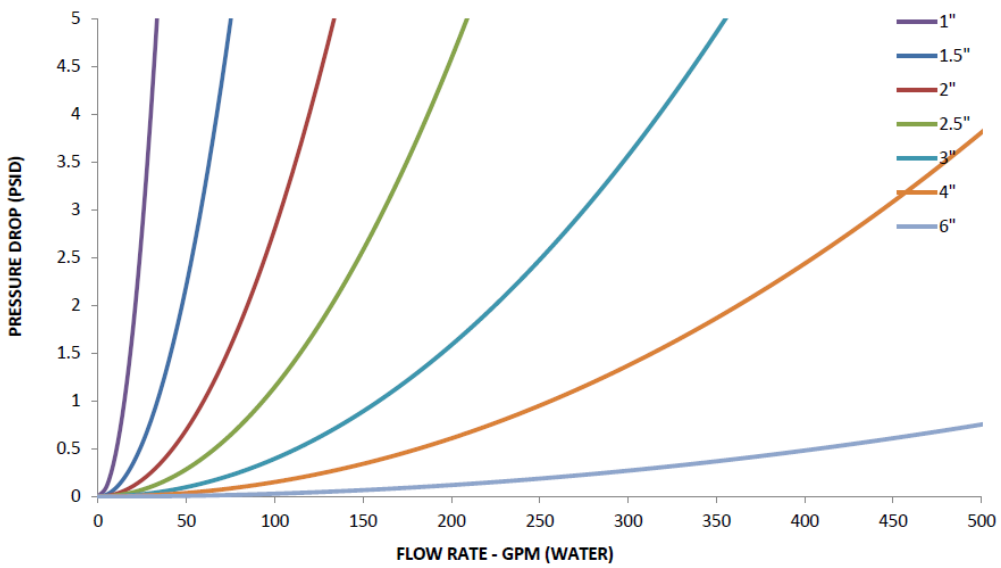
204 North Link Lane #7  
Fort Collins, CO 80524  
Office 970-204-4758  
Fax 970-204-4764

brandon@industrialfiltersource.com

# AQ SERIES

Cartridge Filter Housings  
ASME Design/Industrial Design  
Universal

## FLOW CHART



For pricing or to order, please contact



204 North Link Lane #7  
Fort Collins, CO 80524  
Office 970-204-4758  
Fax 970-204-4764  
brandon@industrialfiltersource.com