



Fil-Trek

HFV SERIES

High Flow Filter Housing
Vertical
ASME Design



Water



Desalination



Chemicals



Electronics



Oil/Gas



Air/Gas



Inks/Paints/ Coatings



Power



Coolants



Pulp & Paper

HFV SERIES

Vertical

High Flow Cartridge Filter Housings

- Multi-purpose industrial ASME "U" & "UM" code housings.
- Accepts multiple 40" & 60" High Flow cartridges.
- 150psig (10.3bar) @ 250°F(121.1°C) design pressure.
- Vessels available in carbon or stainless steel 304 or 316.
- Also available in LDX2101, C276, AL6XN, RA2205 & Monel 400.
- Swing bolt closure allows for quick element change out.
- Vessels will accept industry standard elements from:
 - 3M

For pricing or to order, please contact



204 North Link Lane #7
Fort Collins, CO 80524
Office 970-204-4758
Fax 970-204-4764

brandon@industrialfiltersource.com

HFV SERIES

High Flow Filter Housing
Vertical
ASME Design

Housing Specifications

Inlet/Outlet
3" Flange - 22" Flange

Dirty Drain
2" NPT

Clean Drain
2" NPT

Vent
1/2" NPT

Gauges
1/2" NPT

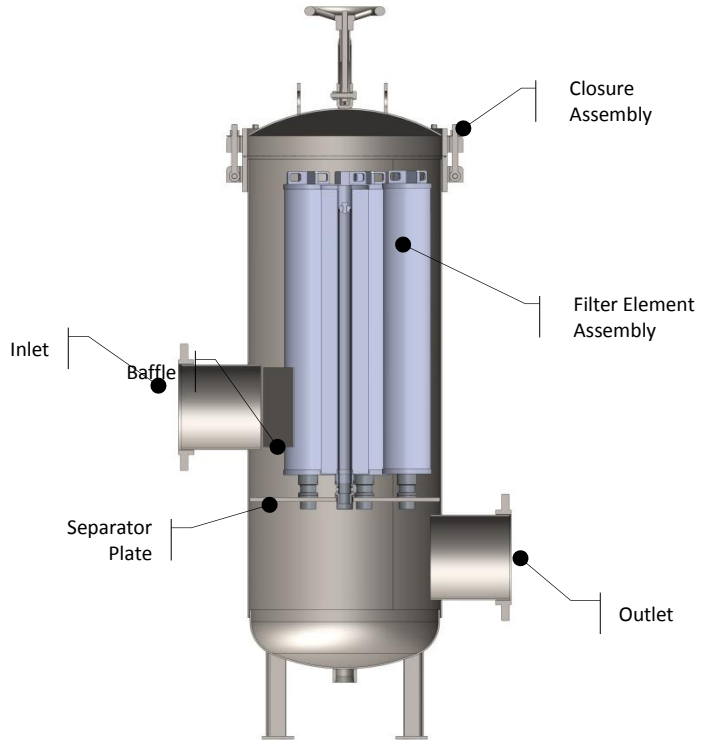
Certifications

U
UM
CE
NB
CRN

MODEL FLOW RATES

MODEL	# OF FILTERS	FLOW RATE-GPM	MAX INLET/OUTLET (IN)
HFV08	1	175	4"
HFV14	2	350	4"
HFV16	3	525	6"
HFV18	4	700	6"
HFV20	6	1050	8"
HFV24	7	1225	10"
HFV26	8	1400	12"
HFV28	11	1925	12"
HFV30	12	2100	12"
HFV32	14	2450	14"
HFV34	16	2800	14"
HFV36	19	3325	16"
HFV38	19	3325	16"
HFV40	23	4025	16"
HFV42	25	4375	18"
HFV44	29	5075	18"
HFV46	31	5425	20"
HFV48	35	6125	22"
HFV50	37	6475	22"

For maximum efficiency/product life, the flow rates are based on water at 175gpm/40". Actual Flow rate is dependent on fluid viscosity, cartridge micron rating, contaminant and type of media.



For pricing or to order, please contact



204 North Link Lane #7
Fort Collins, CO 80524
Office 970-204-4758
Fax 970-204-4764

brandon@industrialfiltersource.com

MATERIAL OF CONSTRUCTION	MAX. OPERATING PRESSURE (PSI @250°F)	MAX. DESIGN TEMP
CARBON STEEL	150 psi (10.3bar)	300°F (150°C)
304 STAINLESS STEEL	150 psi (10.3bar)	300°F (150°C)
316 STAINLESS STEEL	150 psi (10.3bar)	300°F (150°C)

MODEL DIMENSIONAL DETAILS

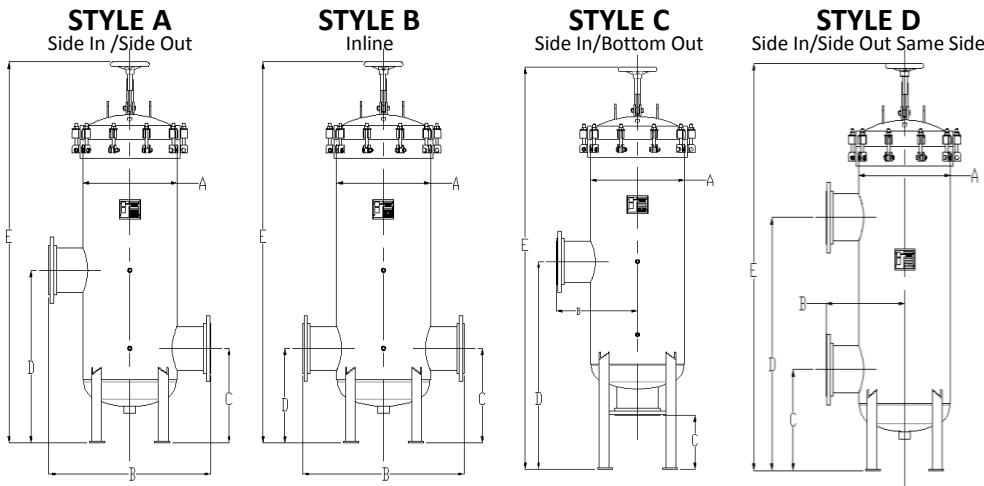
MODEL	SHIPPING WEIGHT (LBS)	A	B	C	D	E
HFV08	180	8"	12 1/2"	7"	16"	57"
HFV14	400	14 1/8"	23"	16"	46"	72"
HFV16	600	16 1/8"	27"	16"	46"	72"
HFV18	800	18 1/8"	30"	19"	48"	75"
HFV20	1000	20 1/8"	32"	20"	48"	75"
HFV22	1200	22 1/8"	33"	20"	48"	77"
HFV24	1400	24 1/8"	35"	22"	48"	77"
HFV26	1600	26 1/8"	36"	22"	48"	77"
HFV28	1800	28 1/8"	40"	22"	52"	80"
HFV30	2000	30 1/8"	43"	24"	52"	80"
HFV32	2400	32 1/8"	46"	24"	54"	82"
HFV34	2800	34 1/8"	46"	24"	56"	82"
HFV36	3000	36 1/8"	48"	28"	56"	82"
HFV38	3400	38 1/8"	50"	30"	56"	82"
HFV40	3800	40 1/8"	54"	35"	58"	84"
HFV42	4200	42 1/8"	58"	35"	58"	84"
HFV44	4600	44 1/8"	58"	35"	58"	86"
HFV46	5200	46 1/8"	58"	35"	60"	86"
HFV48	5600	48 1/8"	58"	35"	62"	88"
HFV50	6000	50 1/8"	64"	36"	62"	88"

REFERENCE CHART LEGEND

A	OUTSIDE DIAMETER
B	FACE TO FACE
C	FLOOR TO OUTLET
D	FLOOR TO INLET
E	OVERALL HEIGHT

*Above dimensions are for 40" Element, Style C. For other options contact factory. **For 20 & 60in element dimensions, refer to the chart below. ***Given dimensions are approximate only, for true dimensions contact factory.

CONFIGURATION OPTIONS



PRODUCT NOMENCLATURE

S6	HFV	28	011	60	10F	A	-	-	-
MATERIAL	MODEL	HOUSING DIAMETER	# OF CARTRIDGES	LENGTH	CONNECTION TYPE	HOUSING CONFIG.	FINISH	O-RING	HEAD LIFT
(-) - CARBON	HFV	SEE TABLE	SEE TABLE	40	SEE TABLE		SEE SIDE PANEL FOR OPTIONS		
S4 - SS304				60					
S6 - SS316									

HOUSING OPTIONS

Configuration Options

- A – Side in/side out
- B – In-Line
- C – Side in/bottom out
- D – Side in/Side out, Same Side

Finish Options

- (-) – External paint “National Blue” (Standard for carbon steel housings)
- (-) – Bead Blast (standard for stainless steel 304 and 316)
- EP1 – Electro polish Inside/Outside
- EP2 – Inside only
- EP3 – Outside only
- PP – Passivation

O-Ring Options

- (-) – Buna-N (standard)
- ED – EPDM
- VI – Viton
- SI – Silicone
- TF – Teflon

Closure Assembly Options

- (-) – K1 – Head lift (standard)
- K2 – Hinge
- K3 – Hydraulic Jack Davit Side
- K4 – Hydraulic Jack Davit Top

Accessories

- Direct Reading Gauge
- DP Gauge
- Safety Relief Valves
- Vent Valves
- Drain Valves
- Air Eliminator

Other Options

- Stainless Steel bolting
- Passivation
- Electropolished, Inside/Out
- Skid Mounting
- Duplexing

For pricing or to order, please contact



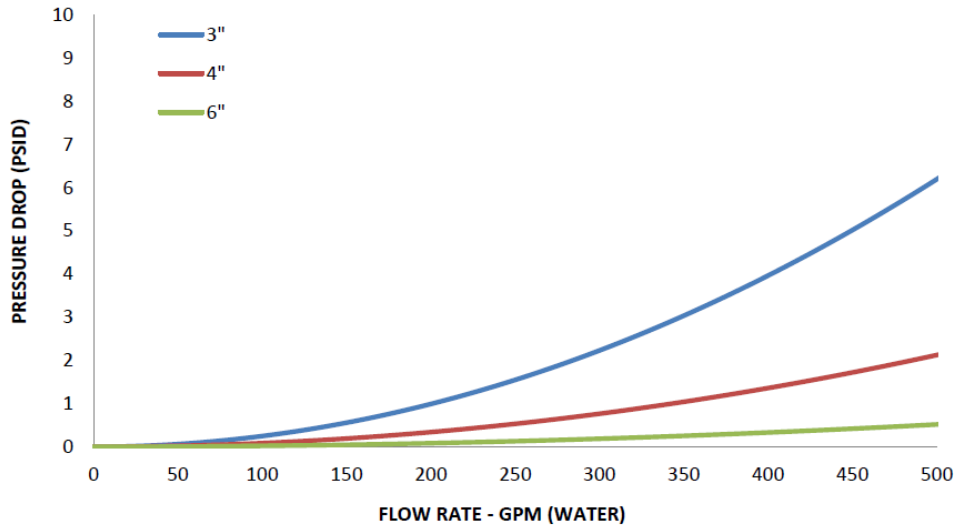
204 North Link Lane #7
Fort Collins, CO 80524
Office 970-204-4758
Fax 970-204-4764

brandon@industrialfiltersource.com

HFV SERIES

High Flow Filter Housing
Vertical
ASME Design

FLOW CHART



For pricing or to order, please contact



204 North Link Lane #7
Fort Collins, CO 80524
Office 970-204-4758
Fax 970-204-4764
brandon@industrialfiltersource.com