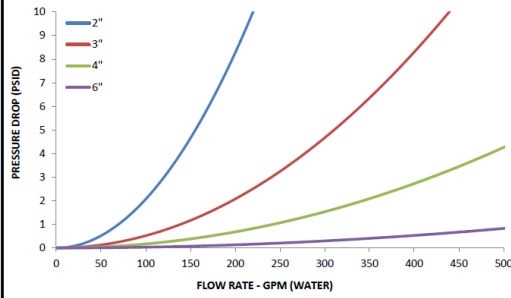


GL SERIES

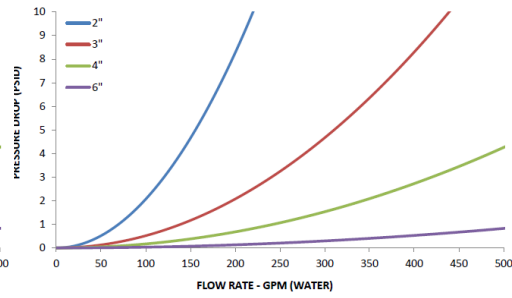
Cartridge Filter Housing
ASME Design/Industrial Design
Universal

FLOW CHART

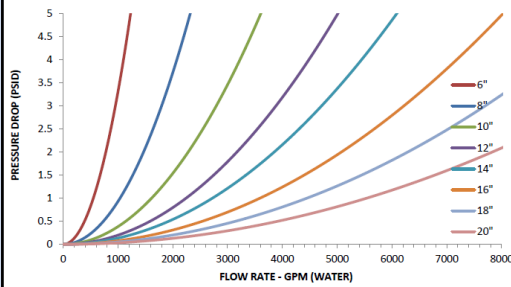
GL04 to GL10



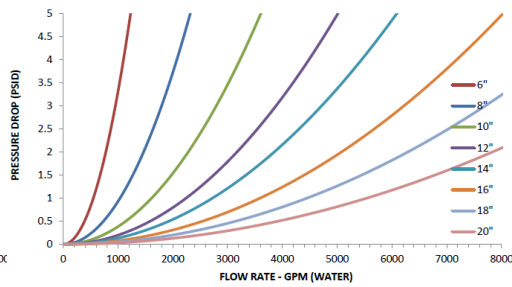
GL12 to GL16



GL18 to GL40



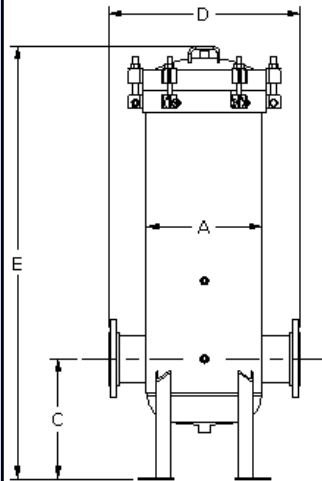
GL42 to GL60



ADDITIONAL MODEL CONFIGURATIONS

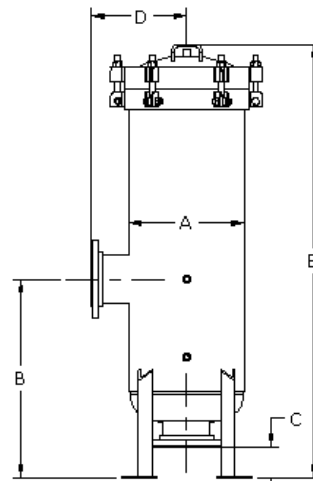
STYLE B

Inline



STYLE C

Side In/Bottom Out



STYLE D

Side In /Side Out Same Side

