

FLD Series

High Flow Single Cartridge Filter Housings with Ring Nut Closure



- Ideal for commercial and industrial filter application
- Heavy duty 304L stainless steel construction for maximum durability
- Accepts 4 1/2" diameter (Big Blue style) Double Open-End (DOE) cartridges
- Designed for high temperature and high pressure applications
- Ring nut closure for quick cartridge change outs
- Spring loaded knife edge seal provides positive sealing for variable length cartridges
- Mounting bracket kit included for easy installation
- Numerous gasket options for compatibility with most fluids

Applications

Potable Water	RO Prefiltration
Food & Beverage	Wastewater
Plating Solutions	Electronics
Chemicals	Photographic solutions
Coolants	Inks / Paints / Coatings

Specifications & Operating Parameters

Maximum Operating Pressure

150 psig (10.3 bar) @ 200°F (93°C)

Connections

Inlet/Outlet: 1" FNPT

Drain Port: Quick twist fitting

Gaskets

Buna N

Optional: EPR, Viton

Materials of Construction

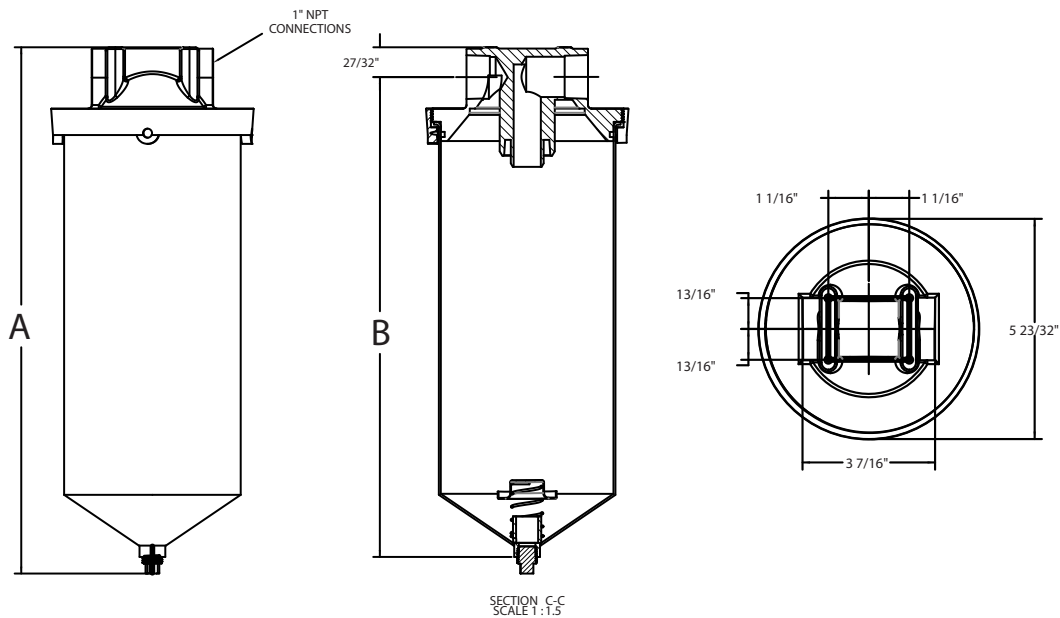
Head: 304L Stainless Steel

Shell: 304L Stainless Steel

MODEL	QUANTITY (LENGTH) OF CARTRIDGES	MAXIMUM FLOW RATE* GPM (LPM)	MAXIMUM DIAMETER CARTRIDGE	DRAIN SIZE	DIMENSIONS	
					A	B
FLD-78	1 (10")	125 (47.3)	4 1/2"	1/8"	15" (38.1 cm)	5.75" (14.6 cm)
FLD-80	1 (20")	25 (94.6)	4 1/2"	1/8"	25" (63.5 cm)	5.75" (14.6 cm)

* Based upon 12.5 (47.3 lpm) per 10" cartridge length with a 25 micron wound cartridge at 2 PSID clean and a viscosity of 1 cps. Flow rates are guidelines only. Actual flow rates are based upon fluid, viscosity, cartridge type, micron ratings and other factors.

Dimensions



Ordering Guide (Example: FLD 788-304-B)

FLD	78	8	-	304	-	B
MODEL	CARTRIDGE LENGTH	PIPE SIZE FNPT		MATERIAL		GASKET
FLD	78 = 9 3/4-10" 80 = 20"	8 = 1"		304 = 304L SS		B = Buna N (Standard) E = EPR V = Viton

Customization

Housings may be customized to meet your precise requirements. Contact a FilterSource technical consultant for more information.



204 N. Link Lane #7
Fort Collins, CO 80524
Office: 970-204-4758 Fax: 970-204-4764
Brandon@IndustrialFilterSource.com
IndustrialFilterSource.com

MicroSentry™, MicroVantage™, Shelco Filters® and the Shelco logo are registered trademarks of the Tinny Corporation. Shelco Filters is a division of the Tinny Corporation.