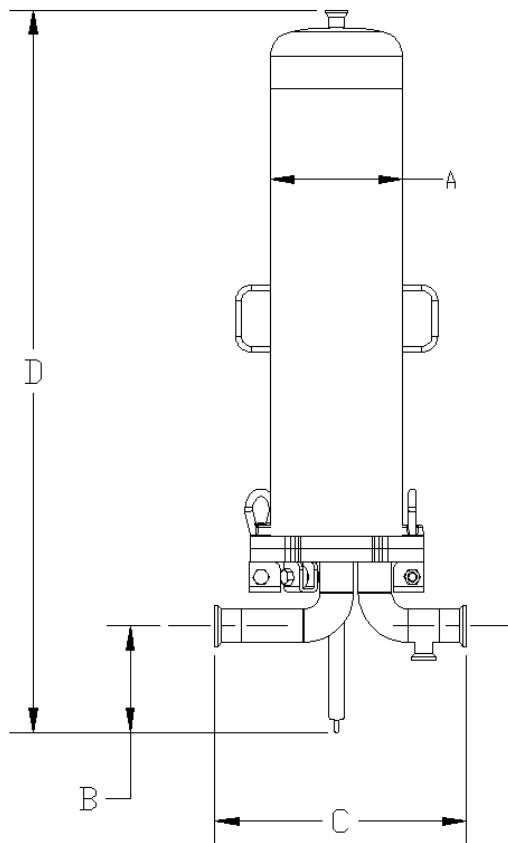






# ORDERING INFORMATION

MODEL	SHIPPING WEIGHT (LBS)	A (OD)	B (FLOOR TO INLET)	C (FLOOR TO OUTLET)	D (O/A HEIGHT)
ESN01-1-1TC	50LBS	4"	3 1/2"	7 5/8"	28"
ESN01-2-1TC	60LBS	4"	3 1/2"	7 5/8"	38"
ESN01-3-1TC	70LBS	4"	3 1/2"	7 5/8"	48"
ESN01-4-1TC	80LBS	4"	3 1/2"	7 5/8"	58"
ESN03-1-2TC	40LBS	6 5/8"	4 1/2"	11.5"	28"
ESN03-2-2TC	50LBS	6 5/8"	4 1/2"	11.5"	38"
ESN03-3-2TC	60LBS	6 5/8"	4 1/2"	11.5"	48"
ESN03-4-2TC	70LBS	6 5/8"	4 1/2"	11.5"	58"
ESN05-1-2TC	50LBS	8"	7 7/8"	12"	28"
ESN05-2-2TC	60LBS	8"	7 7/8"	12"	38"
ESN05-3-2TC	70LBS	8"	7 7/8"	12"	48"
ESN05-4-2TC	80LBS	8"	7 7/8"	12"	58"
ESN07-3-2TC	80LBS	10 3/4"	8"	14.5"	49"
ESN07-4-2TC	95LBS	10 3/4"	8"	14.5"	59"
ESN11-3-2TC	80LBS	12 3/4"	7"	18 1/8"	49"
ESN11-4-2TC	95LBS	12 3/4"	7"	18 1/8"	59"



## FIL-TREK PRODUCT NOMENCLATURE

MATERIAL	MODEL	NUMBER OF CARTRIDGES	LENGTH OF CARTRIDGES	SIZE OF INLET/OUTLET	CARTRIDGE CONNECTION
S6 - SS316	ESN	1	10"	2	E4 - SOE FLAT END W/222
		3	20"	(TRI-CLAMP)	E5 - SOE FLAT END W/226
		5	30"		E6 - SOE FLAT END W/222
		7	40"		E7 - SOE FLAT END W/226
		11			

# ESN SERIES

Sanitary Cartridge Filter  
Housing  
Universal

### Gasket Options

BN - Buna N  
ED - EPDM  
SI - Silicone  
VI - Viton  
TV - Teflon Encapsulated Viton  
TF - Teflon

### Accessories

DP Gauges  
Safety Relief Valves  
Vent Valves  
Drain Valves  
Air Eliminator

### Element Selection

E4: SOE Flat End 222 Open End  
E5: SOE Fin End 222 Open End  
E6: SOE Flat End 226 Open End  
E7: SOE Fin End 226 Open End

For pricing or to order, please contact



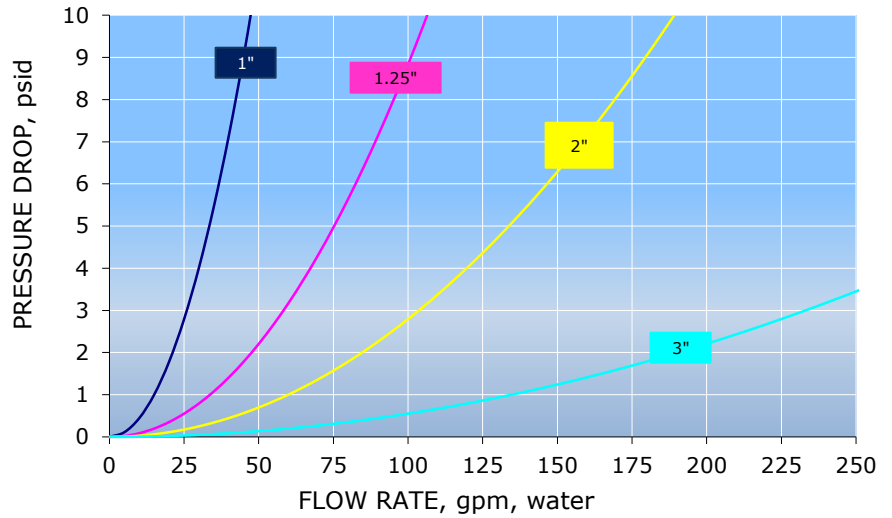
RUN/LO/DG  
ROW&ROOLQ2  
RLFH  
P[  
EUDGREGWULDOILOWHURWFHFRP

# ESN SERIES

Sanitary Cartridge Filter  
Housing  
Universal

# FLOW CHART

## HOUSING PRESSURE DROP vs LIQUID FLOW RATE



For pricing or to order, please contact



204 North Link Lane #7  
Fort Collins, CO 80524  
Office 970-204-4758  
Fax 970-204-4764

[brandon@industrialfiltersource.com](mailto:brandon@industrialfiltersource.com)