



Fil-Trek

TL SERIES

Top Line Bag Filter Housing
ASME Design/Industrial Design
Universal



Water



Desalination



Chemicals



Electronics



Oil/Gas



Air/Gas



Inks/Paints/ Coatings



Power



Coolants



Pulp & Paper

TL SERIES Single Bag Filter Housings

- Single bag, top in, bottom out configuration.
- Economic multi-purpose, ASME code and non-code designed housings.
- 150psig (10.3bar) @ 250°F(121.1°C) design pressure.
- Manufactured to accept single and multiple bag filters.
- Vessels available in carbon steel, stainless steel 304 or 316.
- Swing bolt closure allows for quick bag change out.

For pricing or to order, please contact



204 North Link Lane #7
Fort Collins, CO 80524
Office 970-204-4758
Fax 970-204-4764

brandon@industrialfiltersource.com

TL SERIES

Top Line Bag Filter Housing
ASME Design/Industrial Design
Universal

Housing Specifications

Inlet/Outlet
2" Flange - 3" Flange
2" - 3" 150# NPT

Inlet/Outlet Connection Types
FNPT
Flange

Clean Drain
3/4" NPT

Vent
1/4" NPT

Gauges
1/4" NPT

Basket
1/8" on 3/16" perforated plate
*Other basket options available.

Certifications
U
UM
CE
NB
CRN

For pricing or to order, please contact



204 North Link Lane #7
Fort Collins, CO 80524
Office 970-204-4758
Fax 970-204-4764
brandon@industrialfiltersource.com

TL SERIES

Fil-Trek's TL series are ideal for use in industrial and commercial applications where flow rates vary between 110 and 240 GPM. Each model is available in carbon steel and stainless steel 304 and 316 and has a standard design pressure of 150psi (10 bar) @ 250°F.

Each model is standard with the following:

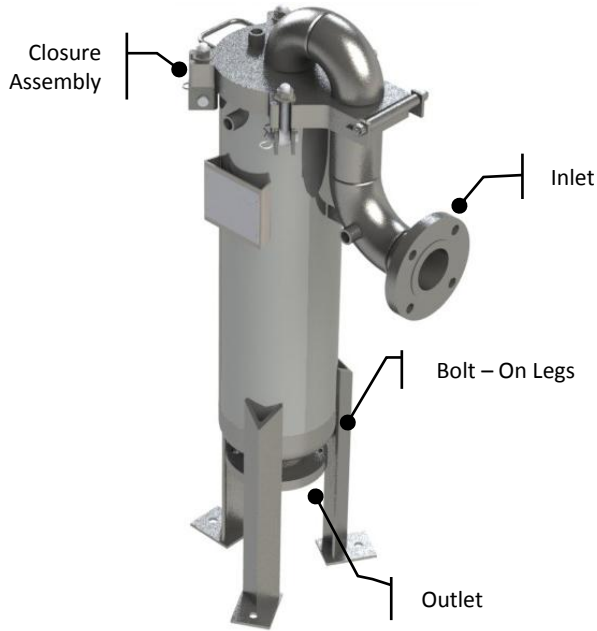
- Swing-bolt closure
- Bead blast finish
- Buna-N gasket
- 2 gauge ports
- Fully welded construction throughout
- Standard 1/8" on 3/16" perforated basket
- Adjustable carbon steel leg assembly



MODEL FLOW RATES

MODEL	BAG SIZE	FLOW RATE (GPM)
TL111-2P	1	110
TL111-2F	1	110
TL111-3P	1	240
TL111-3F	1	240
TL112-2P	2	110
TL112-2F	2	110
TL112-3P	2	240
TL112-3F	2	240

Flow rates are based on water at 2psid through empty housing with basket. Actual flow rate is dependant on fluid viscosity, micron rating, and media type. For actual flow rates based on your process, please contact Fil-Trek Corporation.



MATERIAL OF CONSTRUCTION	MAX. OPERATING PRESSURE (PSI @250°F)	MAX. DESIGN TEMP
--------------------------	--------------------------------------	------------------

CARBON STEEL	150 psi (10.3bar)	300°F (150°C)
304 STAINLESS STEEL	150 psi (10.3bar)	300°F (150°C)
316 STAINLESS STEEL	150 psi (10.3bar)	300°F (150°C)

MODEL DIMENSIONAL DETAILS

MODEL	WEIGHT (LBS)	A	B	C
TL111-2P	175	16 5/16"	11 5/16"	36 5/16"
TL111-2F	180	16 5/16"	12 1/8"	36 5/16"
TL111-3P	180	16 5/16"	12 5/16"	36 5/16"
TL111-3F	185	16 5/16"	13 1/8"	36 5/16"
TL112-2P	195	30 5/16"	11 5/16"	45 5/16"
TL112-2F	200	30 5/16"	12 1/8"	45 5/16"
TL112-3P	200	30 5/16"	12 5/16"	45 5/16"
TL112-3F	205	30 5/16"	13 1/8"	45 5/16"

REFERENCE CHART LEGEND

A	INLET TO OUTLET
B	CENTRE TO FACE
C	OVERALL LENGTH

Dimensions above are based on standard configuration 'C', side in-bottom out. Contact factory for weights and dimensions for all other model configurations

CONFIGURATION OPTIONS

STYLE A

Side In /Side Out

STYLE B

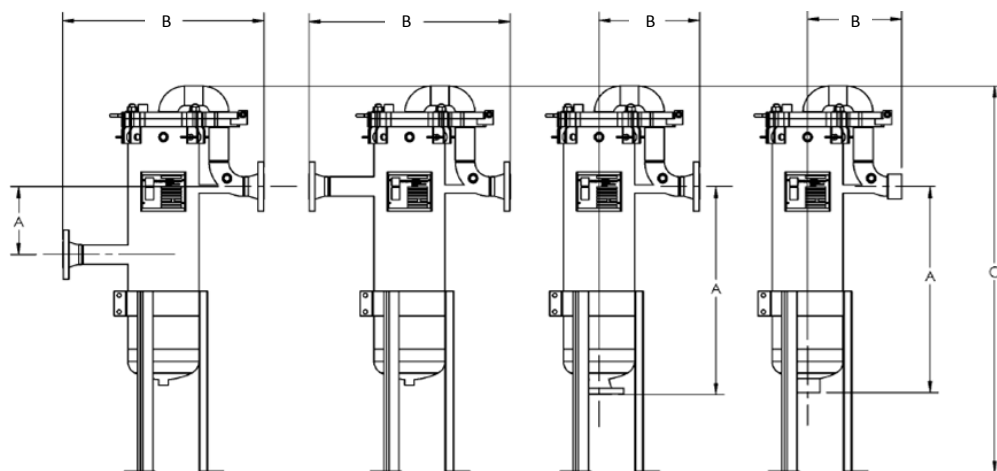
Inline

STYLE C

Side In/Bottom Out

STYLE D

Side In /Side Out
Same Side



TL STANDARD DESIGN

PRODUCT NOMENCLATURE

S4	TL	1	12	3F	-	-	-	-
MATERIAL	MODEL	# OF BASKETS	BASKET LENGTH	CONNECTION TYPE	HOUSING CONFIG.	BASKET	FINISH	O-RING
(-) - CARBON	TL - ASME CODE	1	11 - SIZE 1	2P - 2" NPT	SEE SIDE PANEL FOR OPTIONS			
S4 - SS304	ETL - NON-CODE		12 - SIZE 2	2F - 2" FLANGE				
S6 - SS316				3P - 3" NPT				
				3F - 3" FLANGE				

NOTE: The TL series in an ASME code stamped housing. This vessel is also available in a non-code design that is built to code but is not stamped.

For non-code, add the prefix "E" to the TL in the part number.

HOUSING OPTIONS

Configuration Options

- A - Side in/side out
- B - Inline
- C - Side in/Bottom out (standard)
- D - Side in/out Same Side

Basket Options

- (-) - 1/8" on 3/16" perforated basket (standard)
- MB__ - Mesh lined basket (insert mesh size in blank space)

Finish Options

- (-) - External paint "National Blue" (Standard for carbon steel housings)
- (-) - Bead Blast (standard for stainless steel 304 and 316)
- EP1 - Electro polish Inside/Outside
- EP2 - Inside only
- EP3 - Outside only
- PP - Passivation

O-Ring Options

- (-) - Buna-N (standard)
- ED - EPDM
- VI - Viton
- SI - Silicone
- TEV - Teflon encapsulated Viton

Accessories

- Direct Reading Gauge
- DP Gauge
- Safety Relief Valves
- Vent Valves
- Drain Valves
- Air Eliminator
- Omega Springs
- Balloon/Liquid Displacer
- Bag Magnets

For pricing or to order, please contact



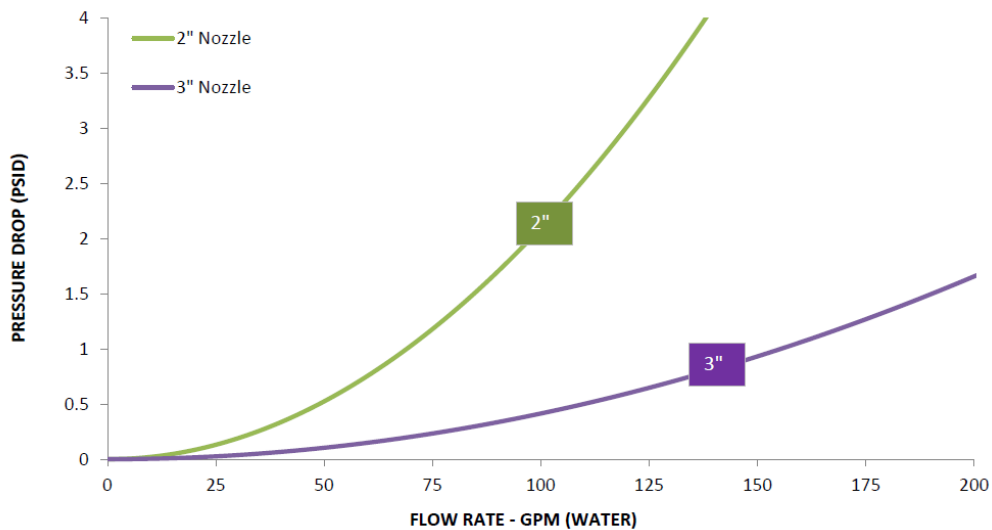
204 North Link Lane #7
Fort Collins, CO 80524
Office 970-204-4758
Fax 970-204-4764

brandon@industrialfiltersource.com

TL SERIES

Top Line Bag Filter Housing
ASME Design/Industrial Design
Universal

FLOW CHART



For pricing or to order, please contact



204 North Link Lane #7
Fort Collins, CO 80524
Office 970-204-4758
Fax 970-204-4764

brandon@industrialfiltersource.com