



# Fil-Trek

# VF SERIES

Multi Round  
Oil Filters  
ASME Design



Chemicals



Oil/Gas



Air/Gas



Coolants

## VF SERIES Multi Round Oil Filters

- Vertical, oil filter, ASME “U” and “UM” design.
- Housing accepts multiple 300, 400, 600 & 700 series oil filters.
- Multiple stacks available.
- 150psig (10.3bar) @ 250°F(121.1°C) design pressure.
- Vessels available in carbon or stainless steel 304 or 316.
- Standard vessel is carbon steel with external paint.
- Swing bolt closure allows for quick element change out.

For pricing or to order, please contact



204 North Link Lane #7  
Fort Collins, CO 80524  
Office 970-204-4758  
Fax 970-204-4764

[brandon@industrialfiltersource.com](mailto:brandon@industrialfiltersource.com)

# VF SERIES

Multi Round  
Oil Filters  
ASME Design

### Housing Specifications

**300/400 Series**  
Inlet/Outlet  
2" Flange - 8" Flange

**Dirty Drain**  
2" NPT

**Clean Drain**  
2" NPT

**Vent**  
1/2" NPT

**Gauges**  
1/2" NPT

**600/700 Series**  
Inlet/Outlet  
4" Flange - 20" Flange

**Dirty Drain**  
2" NPT

**Clean Drain**  
2" NPT

**Vent**  
1/2" NPT

**Gauges**  
1/2" NPT

### Certifications

- U
- UM
- CE
- NB
- CRN

For pricing or to order, please contact



204 North Link Lane #7  
Fort Collins, CO 80524  
Office 970-204-4758  
Fax 970-204-4764  
brandon@industrialfiltersource.com

## MODEL FLOW RATES

### 300/400 SERIES

MODEL	FLOW RATE (GPM)	# OF FILTERS		MAX INLET/OUTLET
		3"	4"	
VF10	400	5	3	4"
VF12	425	8	4	4"
VF14	450	11	7	4"
VF16	600	15	8	6"
VF18	850	18	11	6"
VF20	900	23	13	6"
VF22	1050	29	18	8"
VF24	1350	36	20	8"
VF27	1800	46	27	8"
VF30	2250	58	32	10"
VF32	2700	65	38	10"
VF34	3000	71	42	10"
VF36	3300	80	49	10"
VF42	4500	110	67	12"
VF48	6000	143	90	16"
VF54	7500	191	115	18"

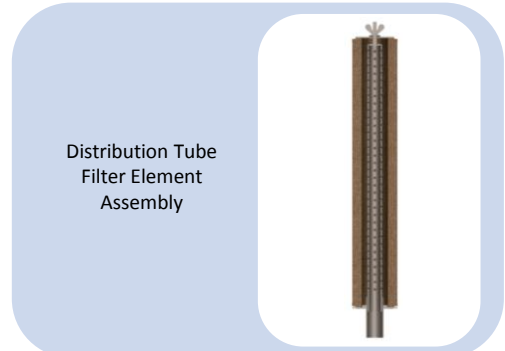
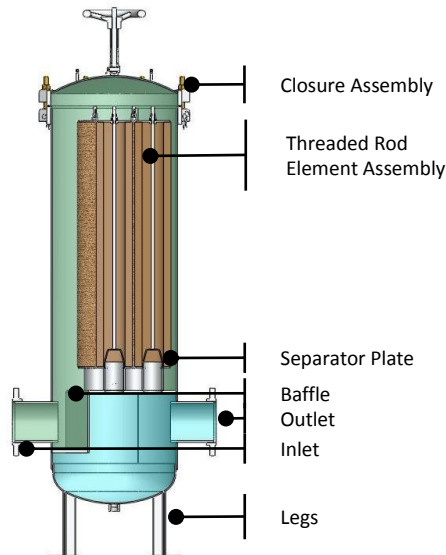
Flow rate is recommended at 8gpm/36". Actual Flow rate is dependent on fluid viscosity, cartridge micron rating, contaminant and type of media.

### 600/700 SERIES

MODEL	FLOW RATE (GPM)	# OF FILTERS	MAX INLET/OUTLET
VF16	600	4	6"
VF20	900	6	6"
VF22	1050	7	8"
VF24	1350	9	8"
VF26	1650	11	8"
VF28	1800	12	8"
VF30	2250	15	10"
VF32	2700	18	10"
VF34	3000	20	10"
VF36	3300	22	10"
VF38	3600	24	12"
VF40	4050	27	12"
VF42	4500	30	12"
VF44	5100	34	14"
VF46	5250	35	14"
VF48	6000	40	16"
VF50	6300	42	16"
VF52	7050	47	16"
VF54	7500	50	18"
VF56	7800	52	18"
VF58	8700	58	18"
VF60	9150	61	20"

Flow rates based on elements for fluids with a viscosity of up to a maximum of 120 SSU, at 65gpm/18".

### INTERNAL DETAILS



### MATERIAL OF CONSTRUCTION

### MAX. OPERATING PRESSURE (PSI @250°F)

### MAX. DESIGN TEMP

CARBON STEEL

150 psi (10.3bar)

300°F (150°C)

304 STAINLESS STEEL

150 psi (10.3bar)

300°F (150°C)

316 STAINLESS STEEL

150 psi (10.3bar)

300°F (150°C)

## MODEL DIMENSIONAL DETAILS

### 300/400 SERIES

MODEL	SHIPPING WEIGHT (LBS)	A	B	C	D	E
VF10	200	10	15"	15"	17"	63"
VF12	225	12	16"	16"	21"	79"
VF14	250	14	16"	16"	16"	81"
VF16	275	16	17"	17"	27"	81"
VF18	400	18	19"	19"	30"	83"
VF20	410	20	20"	20"	32"	86"
VF22	450	22	20"	20"	32"	86"
VF24	480	24	22"	22"	40"	89"
VF27	550	27	22"	22"	40"	89"
VF30	800	30	24"	24"	43"	94"
VF32	900	32	24"	24"	46"	94"
VF34	950	34	26"	26"	46"	98"
VF36	1000	36	28"	28"	48"	102"
VF42	1800	42	35"	35"	58"	107"
VF48	2500	48	35"	35"	58"	107"
VF54	4600	54	36"	36"	75"	118"

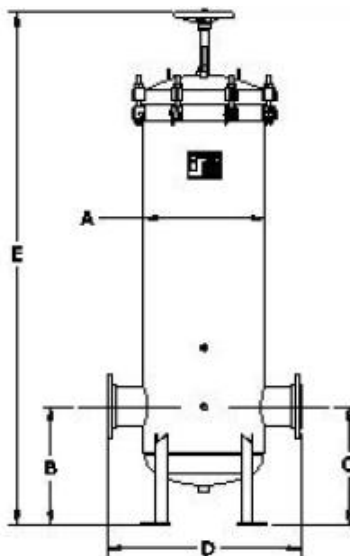
### 600/700 SERIES

MODEL	SHIPPING WEIGHT (LBS)	A	B	C	D	E
VF14-03-44-4F	250	14"	16"	16"	16"	81"
VF16-04-44-6F	275	16"	17"	17"	17"	85"
VF20-06-44-6F	410	20"	20"	20"	32"	86"
VF22-07-44-6F	450	22"	20"	20"	33"	86"
VF24-09-44-8F	480	24"	22"	22"	35"	89"
VF26-11-44-8F	530	26"	22"	22"	36"	92"
VF28-12-44-8F	550	28"	22"	22"	40"	89"
VF30-15-44-10F	800	30"	24"	24"	43"	94"
VF32-18-44-10F	900	32"	24"	24"	46"	94"
VF34-20-44-10F	950	34"	24"	24"	48"	98"
VF36-22-44-12F	1000	36"	28"	28"	48"	101"
VF38-24-44-12F	1300	38"	30"	30"	50"	101"
VF40-27-44-12F	1500	40"	35"	35"	54"	102"
VF42-30-44-14F	1800	42"	35"	35"	58"	107"
VF44-34-44-16F	2000	44"	35"	35"	58"	107"
VF46-35-44-16F	2200	46"	35"	35"	58"	107"
VF48-40-44-16F	2500	48"	35"	35"	58"	107"
VF50-42-44-18F	3000	50"	36"	36"	64"	112"
VF52-47-44-18F	3800	52"	36"	36"	64"	112"
VF54-50-44-18F	4600	54"	36"	36"	75"	112"
VF56-52-44-20F	5900	56"	36"	36"	75"	118"
VF58-58-44-20F	6700	58"	38"	38"	75"	118"
VF60-61-44-20F	7200	60"	38"	38"	75"	118"

### REFERENCE CHART LEGEND

<b>A</b>	OUTSIDE DIAMETER
<b>B</b>	FLOOR TO INLET
<b>C</b>	FLOOR TO OUTLET
<b>D</b>	FACE TO FACE
<b>E</b>	OVERALL HEIGHT

### Style B



NOTE: Above dimensions are for Style B, with a flat bottom. For other options contact factory.

## PRODUCT NOMENCLATURE

S6	VF	28	12	36	8F	-	-	-	-	-	-	
MOC	MODEL	HOUSING DIAMETER	# OF FILTERS	LENGTH	CONNECTION TYPE	HOUSING CONFIG	BOTTOM HEAD	FINISH	LEG	O-RING	HEAD LIFT	FILTER SUPPORT
(-) CS	VF - ASME CODE	SEE TABLE	SEE TABLE	18	SEE TABLE			SEE SIDE PANEL FOR OPTIONS				
S4 SS304	EVF - NON-CODE			36								
S6 SS316				44								
				56								

### HOUSING OPTIONS

#### Configuration Options

- (-) In Line (standard)
- A - Side in/side out
- D - Side in/out Same Side

#### Bottom & Head Options

- (-) F - Flat bottom (standard for VF10-16)
- (-) L - Domed bottom (standard for VF18 +)

#### Finish Options

- (-) External paint "National Blue" (Standard for carbon steel housings)
- (-) Bead Blast (standard for stainless steel 304 and 316)
- EP1 - Electro polish Inside/Outside
- EP2 - Inside only
- EP3 - Outside only
- PP - Passivation

#### Leg Options

- (-) LT - Leg tabs (standard for flat bottom VF10-16 only)
- (-) LA - Heavy duty legs (standard for all domed bottom)

#### O-Ring Options

- (-) Buna-N (standard)
- ED - EPDM
- VI - Viton
- SI - Silicone
- TEV - Teflon encap. Viton
- TF - Teflon

#### Head Lift Options

- K1 - Standard Mechanical Davit
- K2 - Hinge
- K3 - Hydraulic Davit Side
- K4 - Hydraulic Jack Davit Top

#### Filter Support

- (-) I1: Threaded Rod (standard)
- I2: Distributor Tube

#### Other Options

- Stainless steel bolting
- Skid mounting
- Duplexing

#### Accessories

- DP Gauges
- Safety Relief Valves
- Vent Valves
- Drain Valves
- Air Eliminator

For pricing or to order, please contact



204 North Link Lane #7  
Fort Collins, CO 80524  
Office 970-204-4758  
Fax 970-204-4764

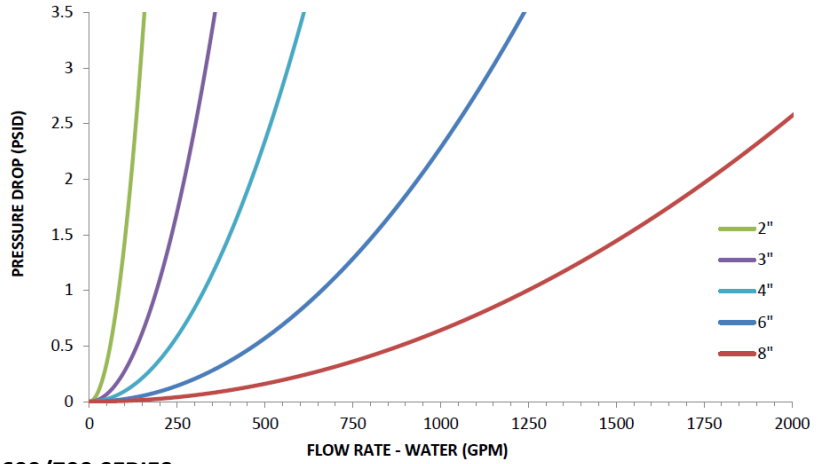
brandon@industrialfiltersource.com

# VF SERIES

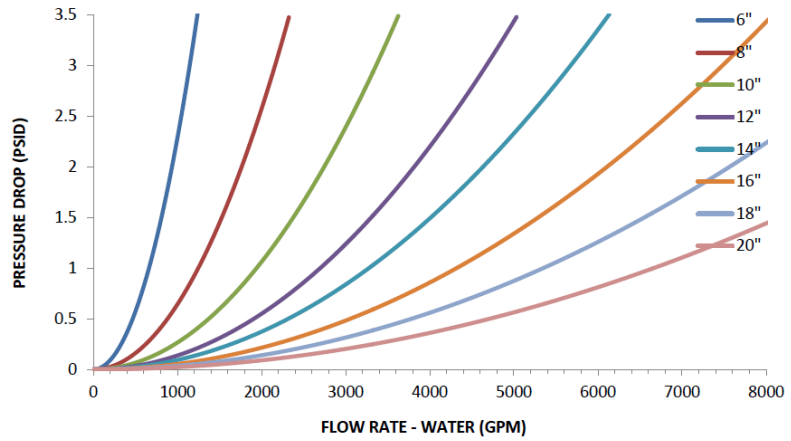
Multi Round  
Oil Filters  
ASME Design

## FLOW CHART

### 300/400 SERIES

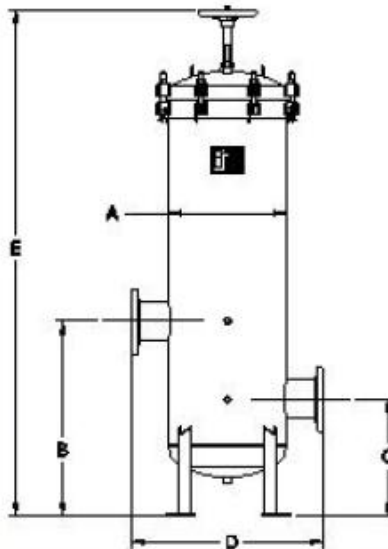


### 600/700 SERIES

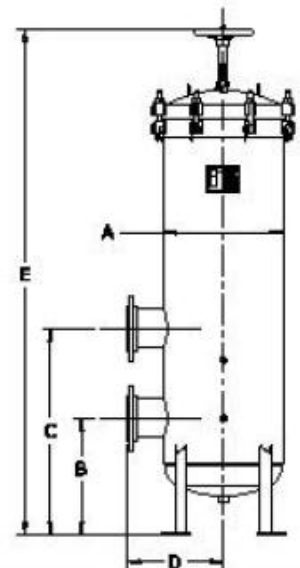


## ADDITIONAL CONFIGURATION OPTIONS

Style A



Style D



For pricing or to order, please contact



204 North Link Lane #7  
Fort Collins, CO 80524  
Office 970-204-4758  
Fax 970-204-4764

brandon@industrialfiltersource.com