

FOS, FOSBN and FOC Series

Single Cartridge Filter Housings with Bolt & Nut Closure for Liquids



- Designed for industrial and commercial filter applications
- Heavy duty construction for maximum durability
- Various materials of construction for wide range of process requirements
 - 304L or 316L stainless steel
 - Brass nickel plated head with 304L SS body
 - Cast Iron Head with a steel body
- Accepts Double Open-End (DOE) cartridges
- Available with 1/4", 3/8", 1/2", 3/4", and 1" connections.
- Numerous gasket options for compatibility with most fluids
- Bolt-nut-closure design for quick cartridge change outs (T-handle optional)
- In line connections for easy installation
- Knife edge seals at both end of cartridge housing eliminate potential bypass.

Applications

| | |
|-------------|--------------------------|
| Water | Desalination |
| Chemicals | Food & Beverage |
| Electronics | Oil / Gas |
| Power | Inks / Paints / Coatings |
| Coolants | Pulp & Paper |

Specifications & Operating Parameters

Maximum Operating Pressure

250 psig (17 bar) @ 275°F (135°C)

Connections

Inlet /Outlet: 1/2", 3/4" or 1" FNPT

1/4" and 3/8" only available for FOC Series

Optional: BSPT, BSPP, RF Flanges, Sanitary Ferrules or Grooved Fittings

Drain Port: 1/8" NPT (1/4" for FO-38 models)

Gaskets

Buna

Optional: EPR, Silicone, Viton, Teflon, Neoprene, Vellumoid

Materials of Construction

Head / Shell: FOS - 304L or 316L Stainless Steel

FOSBN - Brass nickel plated / 304L Stainless Steel

FOC - Cast iron head / carbon steel

Drain: FOS - Stainless Steel Plug

FOSBN - Brass Petcock

FOC - Brass Petcock

Options

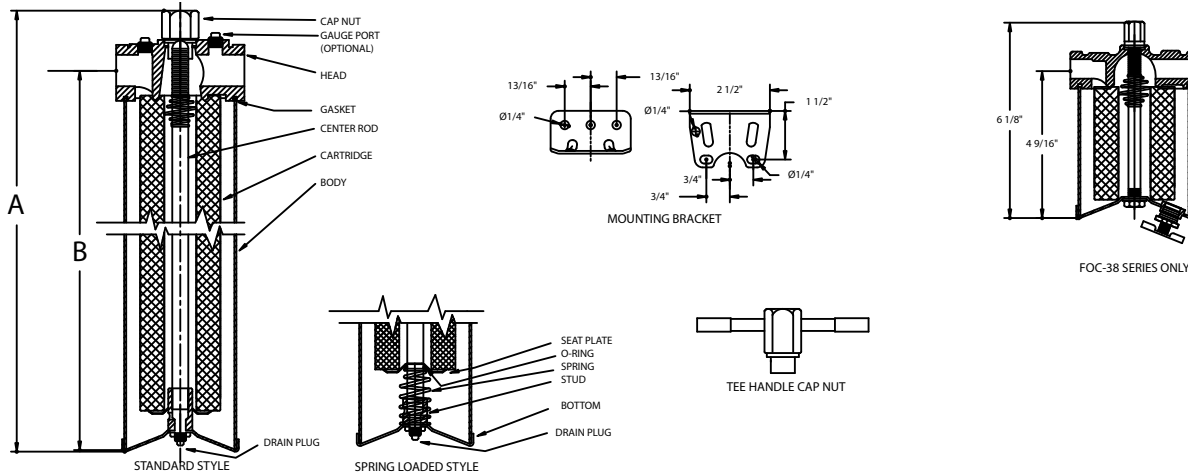
- Vent Port with Vent Screw
- Gauge Ports
- Bracket Kit
- Variable Spring Load Seal
- Tee Handle

See Ordering Guide for complete selection of options

| MODEL | QUANTITY (LENGTH) OF CARTRIDGES | RATED FLOW CAPACITY* GPMLPM) | MAXIMUM DIAMETER CARTRIDGE | DRAIN SIZE | STANDARD | | SPRING LOADED | |
|-------|---------------------------------|------------------------------|----------------------------|------------|-----------------|------------------|----------------|-----------------|
| | | | | | A | B | A | B |
| FO-38 | 1 (3 3/4") | 1.75 (6.6) | 2 3/4" | 1/4" | 7 11/16" (19.5) | 5 3/4" (26.1) | N/A | N/A |
| FO-39 | 1 (4 7/8") | 3.5 (132) | 2 3/4" | 1/8" | 8 7/8" (22.5) | 6 15/16" (17.6) | 9 1/2" (24.1) | 7 9/16" (19.2) |
| FO-78 | 1 (9 3/4") | 7 (26.5) | 2 3/4" | 1/8" | 13 3/4" (34.9) | 11/13/16" (33.0) | 14 3/8" (36.5) | 12 7/16" (31.6) |
| FO-80 | 1 (20") | 14 (53.0) | 2 3/4" | 1/8" | 23 7/8" (60.6) | 21 15/16" (55.7) | 24 1/2" (62.2) | 22 9/16" (57.3) |
| FO-90 | 1 (30") | 21 (79.5) | 2 3/4" | 1/8" | 33 7/8" (86.0) | 31 15/16" (81.1) | 34 1/2" (87.6) | 32 9/16" (82.7) |

* Based upon 7 gpm per 10" length with a 25 micron wound cartridge at 2 PSID clean and viscosity of 1 cps. Flow rates are for guidelines only, Actual flow rates are based on fluid, viscosity, cartridge type, micron ratings and other factors.

Dimensions



Ordering Guide (Example: FOS-786-316-TH-E)

| FO | S | - 78 | 6 | - 316 | - | TH | - | E |
|-------|---|---|--|----------------------------|---|--|---|---|
| MODEL | MATERIAL | CARTRIDGE LENGTH* | PIPE SIZE FNPT | OPTIONAL MATERIAL | | OPTIONS | | GASKET |
| FO | S = 304L Stainless Steel with stainless steel drain plug SBN = Brass Nickel Plated Head with 304L Stainless Steel sump and brass petcock drain C = Cast iron head with steel sump and brass petcock drain | 38 = 3 3/4" 39 = 4 7/8" 78 = 9 3/4" 80 = 20" 90 = 30" | 2 = 1/4" 3 = 3/8" 4 = 1/2" 6 = 3/4" 8 = 1" | Blank = None 316 = 316L | | Blank = None BSP = BSP threads 1F = 1" Flange+ 1TC = 1" Ferrules+ GP4 = 1/4" Gauge Ports++ BR = Bracket Kit DSG = Variable Seal (Spring Loaded) TH = Tee Handle 10 = 10" Cartridge Length 195 = 19 1/2" Cartridge Length 294 = 29 1/4" Cartridge Length Vent = Vent Screw | | B = Buna N (Standard) E = EPR S = Silicone V = Viton T = Teflon N = Neoprene Vell = Vellumoid |

* Available in 10", 19 1/2" and 29 1/4" length - see options in ordering guide

+ Available only in FOS stainless steel series. Maximum pressure rating for RF flanges and sanitary ferrules is 150 psi (10.3 bar).

++ When ordering vents or gauge ports, specify location : I = Inlet, O = Outlet, I/O = Inlet and Outlet. Example = GP4/I/O

Customization

Housings may be customized to meet your precise requirements. Contact a FilterSource technical consultant for more information.



204 N. Link Lane #7
Fort Collins, CO 80524
Office: 970-204-4758 Fax: 970-204-4764
Brandon@IndustrialFilterSource.com
IndustrialFilterSource.com

MicroSentry™, MicroVantage™, Shelco Filters® and the Shelco logo are registered trademarks of the Tinny Corporation. Shelco Filters is a division of the Tinny Corporation.