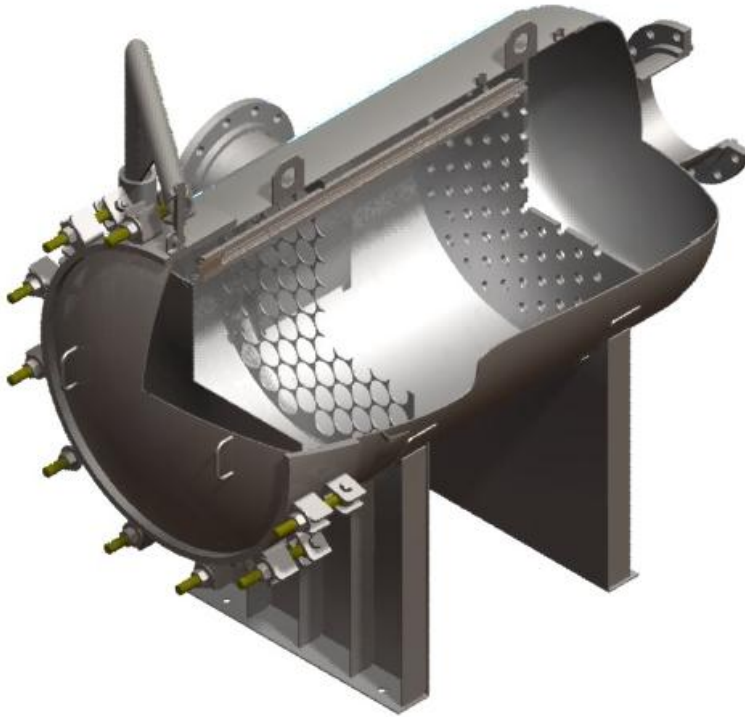




Fil-Trek

GLH SERIES

Cartridge Filter Housing
Horizontal Design
ASME Design/Industrial Design
Universal



Water



Desalination



Chemicals



Electronics



Oil/Gas



Air/Gas



Inks/Paints/ Coatings



Power



Coolants



Pulp & Paper

GLH SERIES

Horizontal

Multi-Round Horizontal Housings

- Multi-purpose industrial ASME "U" & "UM" code and industrial design housings.
- Accepts multiple 10", 20", 30" or 40" cartridges.
- 150psig (10.3bar) @ 250°F(121.1°C) design pressure.
- Vessels available in carbon or stainless steel 304 or 316.
- Also available in LDX2101, C276, AL6XN, RA2205 & Monel 400.
- Housings accept industry standard double open end style cartridges.
- Models can be designed to accept single open end cartridges.
- Swing bolt closure allows for quick element change out.

For pricing or to order, please contact



204 North Link Lane #7
Fort Collins, CO 80524
Office 970-204-4758
Fax 970-204-4764

brandon@industrialfiltersource.com

GLH SERIES

Cartridge Filter Housing
Horizontal Design
ASME Design/Industrial Design
Universal

Housing Specifications

Inlet/Outlet
3" Flange - 22" Flange

Dirty Drain
2" NPT

Clean Drain
2" NPT

Vent
1/2" NPT

Gauges
1/2" NPT

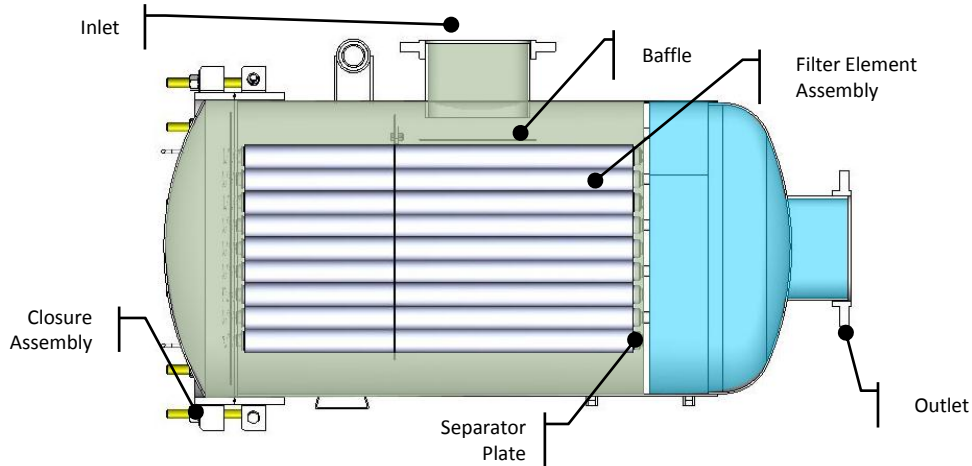
Certifications

- U
- UM
- CE
- NB
- CRN

MODEL FLOW RATES

MODEL	# OF FILTERS	# OF FILTERS	FLOW RATE-GPM	FLOW RATE-GPM	MAX
	2.5"	2.75"	2.5"	2.75"	INLET/OUTLET
GLH12	12	7	240	140	3"
GLH13	14	9	280	180	3"
GLH14	17	12	340	240	4"
GLH16	20	15	400	300	4"
GLH18	29	20	580	400	6"
GLH20	34	25	680	500	6"
GLH22	42	30	840	600	6"
GLH24	53	40	1060	800	8"
GLH26	62	50	1240	1000	8"
GLH28	70	60	1400	1200	8"
GLH30	87	75	1740	1500	10"
GLH32	103	80	2060	1600	10"
GLH34	110	90	2200	1800	12"
GLH36	126	105	2520	2100	12"
GLH38	140	115	2800	2300	14"
GLH40	150	125	3000	2500	14"
GLH42	178	140	3560	2800	14"
GLH44	190	155	3800	3100	14"
GLH46	205	175	4100	3500	14"
GLH48	225	185	4500	3700	16"
GLH50	245	200	4900	4000	16"
GLH52	266	225	5320	4500	16"
GLH54	290	230	5800	4600	18"
GLH56	316	255	6320	5100	18"
GLH58	335	275	6700	5500	18"
GLH60	360	295	7200	5900	20"
GLH62	390	325	7880	6500	20"
GLH64	410	350	8200	7000	20"
GLH66	450	370	9000	7400	22"

Flow rates based on water at 5gpm/10" (Assuming 40" Cartridges).
Actual Flow rate is dependent on fluid viscosity, cartridge micron rating, contaminant and type of media.



For pricing or to order, please contact



204 North Link Lane #7
Fort Collins, CO 80524
Office 970-204-4758
Fax 970-204-4764
brandon@industrialfiltersource.com

MATERIAL OF CONSTRUCTION	MAX. OPERATING PRESSURE (PSI @250°F)	MAX. DESIGN TEMP
CARBON STEEL	150 psi (10.3bar)	300°F (150°C)
304 STAINLESS STEEL	150 psi (10.3bar)	300°F (150°C)
316 STAINLESS STEEL	150 psi (10.3bar)	300°F (150°C)

Cartridge Filter Housing
Horizontal Design
ASME Design/Industrial Design
Universal

Configuration Options
C – Side in/Bottom out
E – Top entry/Back out

Finish Options
(-) – External paint “National Blue”
(Standard for carbon steel housings)
(-) – Bead Blast (standard for stainless steel 304 and 316)
EP1 – Electro polish Inside/Outside
EP2 – Inside only
EP3 – Outside only
PP – Passivation

O-Ring Options
(-) – Buna-N (standard)
ED – EPDM
VI – Viton
SI – Silicone
TEV – Teflon encapsulated Viton
TF – Teflon

Head Lift Options
(-) – K1 – Head lift (standard)
K2 – Hinge

Accessories
Direct Reading Gauge
DP Gauge
Safety Relief Valves
Vent Valves
Drain Valves
Air Eliminator

Filter Configuration
E1 – Double Open End
E2 – DOE with Gasket Ends
E3 – DOE with 1” Ext. Core
E4 – SOE Flat End 222 Open End
E5 – SOE Fin End 222 Open End
E8 – SOE Plastic Spring Top 222
E9 – SOE Plastic Spring Top

For pricing or to order, please contact



204 North Link Lane #7
Fort Collins, CO 80524
Office 970-204-4758
Fax 970-204-4764

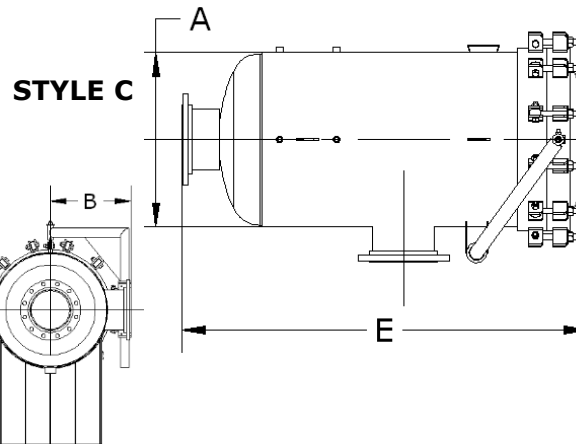
brandon@industrialfiltersource.com

MODEL DIMENSIONAL DETAILS

MODEL	SHIPPING WEIGHT (LBS)	A	B	C	D	E
GLH12	250	12 1/8"	8"	36"	36"	58"
GLH13	300	13 1/8"	10"	36"	36"	58"
GLH14	365	14 1/8"	12"	36"	36"	58"
GLH16	425	16 1/8"	14"	36"	36"	58"
GLH18	500	18 1/8"	15"	36"	36"	60"
GLH20	600	20 1/8"	16"	36"	36"	62"
GLH22	900	22 1/8"	16"	36"	36"	66"
GLH24	975	24 1/8"	17"	36"	36"	66"
GLH26	1100	26 1/8"	18"	36"	36"	67"
GLH28	1400	28 1/8"	20"	36"	36"	68"
GLH30	1600	30 1/8"	21"	36"	36"	69"
GLH32	1750	32 1/8"	22"	36"	36"	69"
GLH34	1925	34 1/8"	24"	36"	36"	70"
GLH36	2100	36 1/8"	24"	36"	36"	72"
GLH38	2400	38 1/8"	27"	36"	36"	73"
GLH40	2700	40 1/8"	27"	36"	36"	74"
GLH42	2900	42 1/8"	29"	36"	36"	75"
GLH44	3300	44 1/8"	29"	36"	36"	80"
GLH46	3700	46 1/8"	29"	36"	36"	82"
GLH48	4100	48 1/8"	29"	36"	36"	84"
GLH50	4500	50 1/8"	32"	36"	36"	86"
GLH52	4900	52 1/8"	32"	36"	36"	88"
GLH54	5500	54 1/4"	37"	43"	43"	91"
GLH56	6000	56 1/8"	37"	43"	43"	94"
GLH58	6600	58 1/8"	37"	43"	43"	96"
GLH60	7000	60 1/8"	37"	43"	43"	98"
GLH62	7500	62 1/8"	39"	43"	43"	101"
GLH64	8000	64 1/8"	39"	43"	43"	104"
GLH66	8500	66 1/8"	40"	43"	43"	107"

REFERENCE CHART LEGEND

A	OUTSIDE DIAMETER
B	FACE TO CENTER
C	FLOOR TO OUTLET
D	FLOOR TO INLET
E	OVERALL HEIGHT



NOTE: Above dimensions are for Style C.
For other options contact factory.

PRODUCT NOMENCLATURE

S6	GLH	18	29	40	6F	A	-	-	-
MATERIAL	MODEL	HOUSING DIAMETER	# OF CARTRIDGES	LENGTH	CONNECTION TYPE	CONFIGURATION	FILTER CONFIG	FINISH	O-RING
(-) CARBON	GLH	SEE TABLE	SEE TABLE	30	SEE TABLE	C (STD)	SEE SIDE PANEL FOR OPTIONS		
S4	ASME CODE			40		SIDE IN/BOTTOM OUT			
SS304	EGLH					E			
S6	NON ASME					TOP ENTRY/BACK OUT			
SS316									

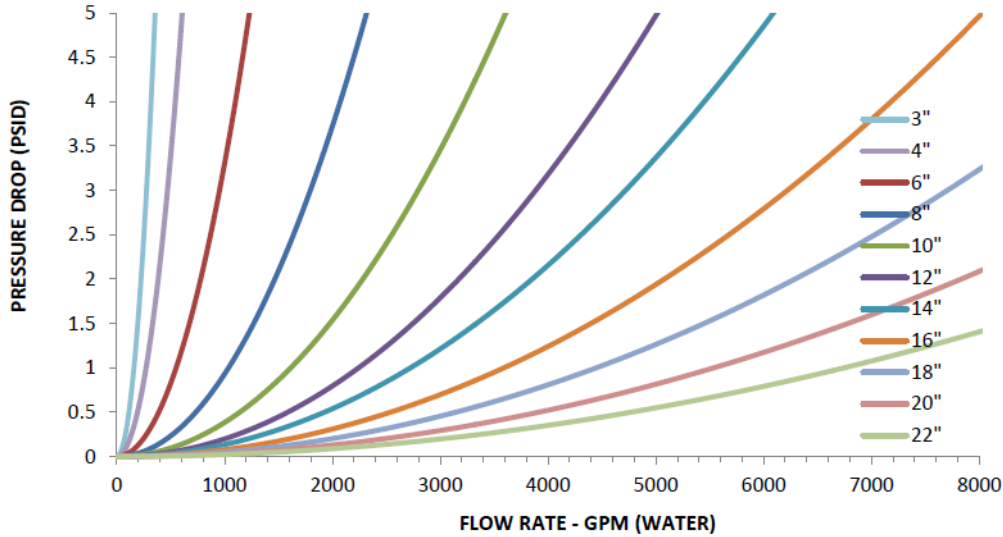
NOTE: The GLH series in an ASME code stamped housing. This vessel is also available in a non-code design that is built to code but is not stamped.

For non-code, add the prefix “E” to the GLH in the part number.

GLH SERIES

Cartridge Filter Housing
Horizontal Design
ASME Design/Industrial Design
Universal

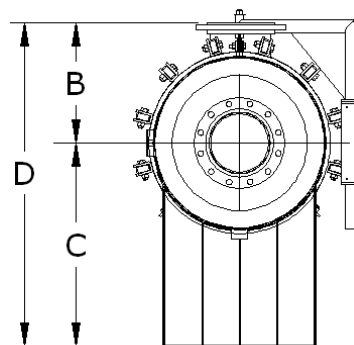
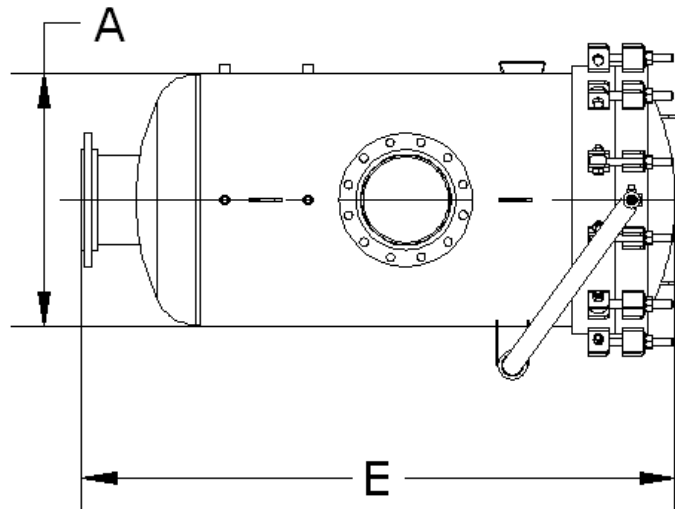
FLOW CHART



ADDITIONAL MODEL CONFIGURATIONS

STYLE E

Top Entry/Back Out



For pricing or to order, please contact



204 North Link Lane #7
Fort Collins, CO 80524
Office 970-204-4758
Fax 970-204-4764
brandon@industrialfiltersource.com